

GP1  
D0055  
BYPASS CONTROL PANEL  
(SEE SHEET 2 FOR  
BYPASS CONTROL  
SCHEMATIC.)

- 1/ OPENING OF FREEZE/FIRE INTERLOCK (IN DRIVE MODE) WILL REQUIRE MANUAL RESET.
- 2/ "P1" DEFAULT POSITION IS PARKED IN POSITION "A". FOR PURGE, WITH HAND-OFF-AUTO SWITCH IN OFF POSITION MOVE "P1" TO POSITION "B".
- 3/ "P2" DEFAULT POSITION IS PARKED IN POSITION "A-B". FOR DRIVE TEST IN BYPASS MOVE "P2" TO POSITION "B-C".

44	DATE	BY	APPROVAL
45			DESIGN REVIEW
46			FDR MANUFACTURING
			AS SHIPPED
			AS COMMISSIONED

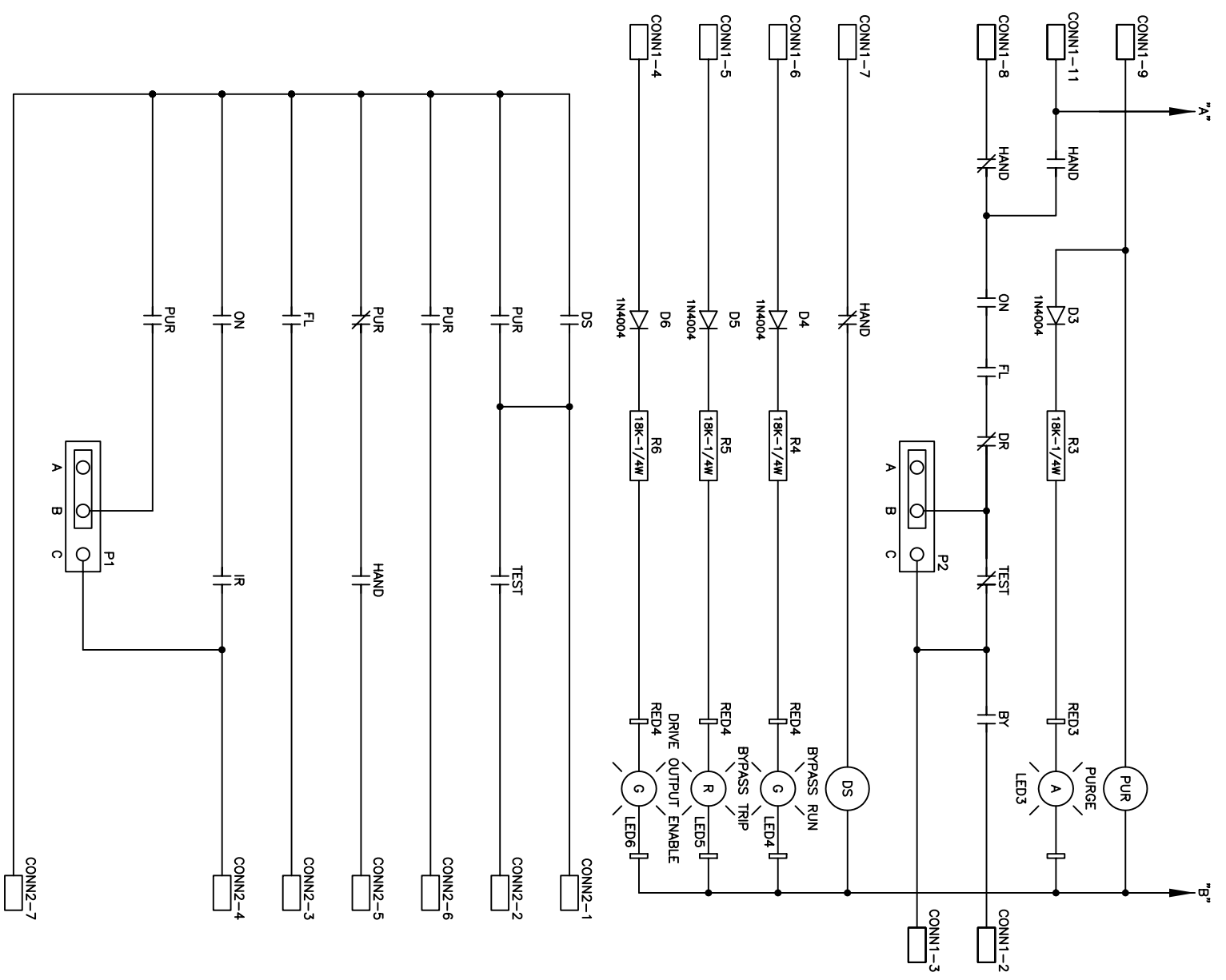
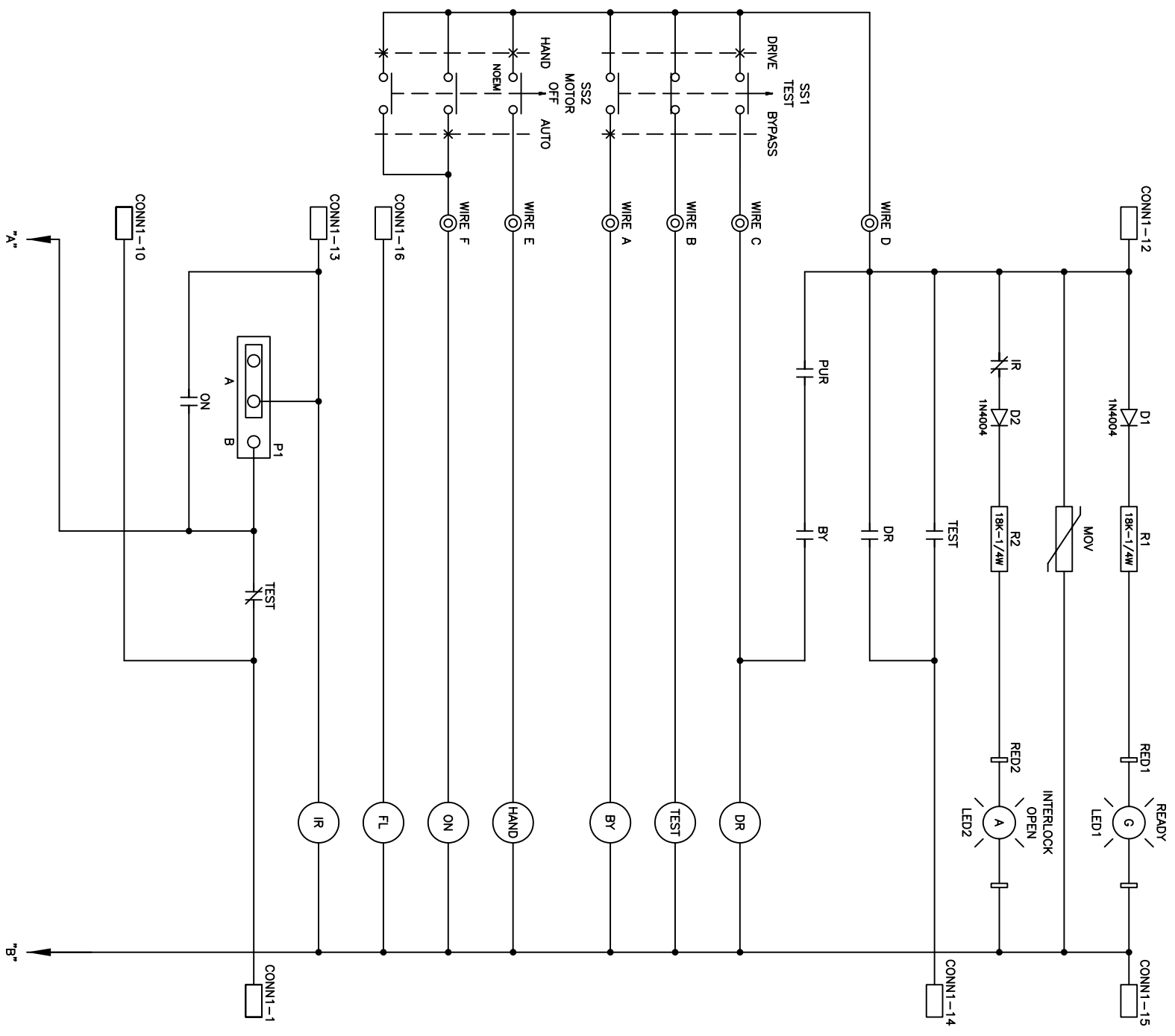
REV.	DATE	BY	ECN/CR. NO.
A	2/1/05	JRF	
B	7/12/05	JRF	
C	6/19/07	REH	

**Rockwell Automation**

THIS DRAWING IS THE PROPERTY OF ROCKWELL AUTOMATION, INC. OR ITS SUBSIDIARIES AND MUST NOT BE COPIED, USED OR DISCLOSED FOR ANY PURPOSE EXCEPT AS AUTHORIZED IN WRITING BY ROCKWELL AUTOMATION, INC.

TITLE: SCHEMATIC DRAWING - PF70, STYLE B, WITH L/R  
 1-25HP @ 208VAC & 1-50HP @ 460VAC

DR. BY	JRF/ACI	CHK. BY	JFH/ACI	ENG. DATE	1/19/05	DWG. NO.	98D01211 -	NEXT SH.	2	SH. NO.	1
--------	---------	---------	---------	-----------	---------	----------	------------	----------	---	---------	---



DATE	BY	APPROVAL
		DESIGN REVIEW
		FDR MANUFACTURING
		AS SHIPPED
		AS COMMISSIONED

REV.	DATE	BY	ECN/CR. NDI
A	2/1/05	JRF	
B	7/12/05	JRF	
C	6/19/07	REH	

**Rockwell Automation**

THIS DRAWING IS THE PROPERTY OF ROCKWELL AUTOMATION, INC. OR ITS SUBSIDIARIES AND MAY NOT BE COPIED, USED OR DISCLOSED FOR ANY PURPOSE EXCEPT AS AUTHORIZED IN WRITING BY ROCKWELL AUTOMATION, INC.

TITLE: SCHEMATIC DRAWING - PF70, STYLE B, WITH L/R  
 1-25HP @ 208VAC & 1-50HP @ 460VAC

DR. BY	JRF/ACI	CHK. BY	JFH/ACI	ENG. DATE		DWG. NDI.	98D01211 -	NEXT SH.	2	SH. NDI.	2
DATE	1/19/05	DATE	1/19/05	DATE							