

- 1/ OPENING OF FREEZE/FIRE INTERLOCK (IN DRIVE MODE) WILL REQUIRE MANUAL RESET.
- 2/ "P1" DEFAULT POSITION IS PARKED IN POSITION "A". FOR PURGE, WITH HAND-OFF-AUTO SWITCH IN OFF POSITION MOVE "P1" TO POSITION "B".
- 3/ "P2" DEFAULT POSITION IS PARKED IN POSITION "A-B". FOR DRIVE TEST IN BYPASS MOVE "P2" TO POSITION "B-C".

44	DATE	BY	APPROVAL
45			DESIGN REVIEW
46			FDR MANUFACTURING
			AS SHIPPED
			AS COMMISSIONED

REV.	DATE	BY	ECN/CR. NO.
A	6/12/07	REH	

**Rockwell Automation**

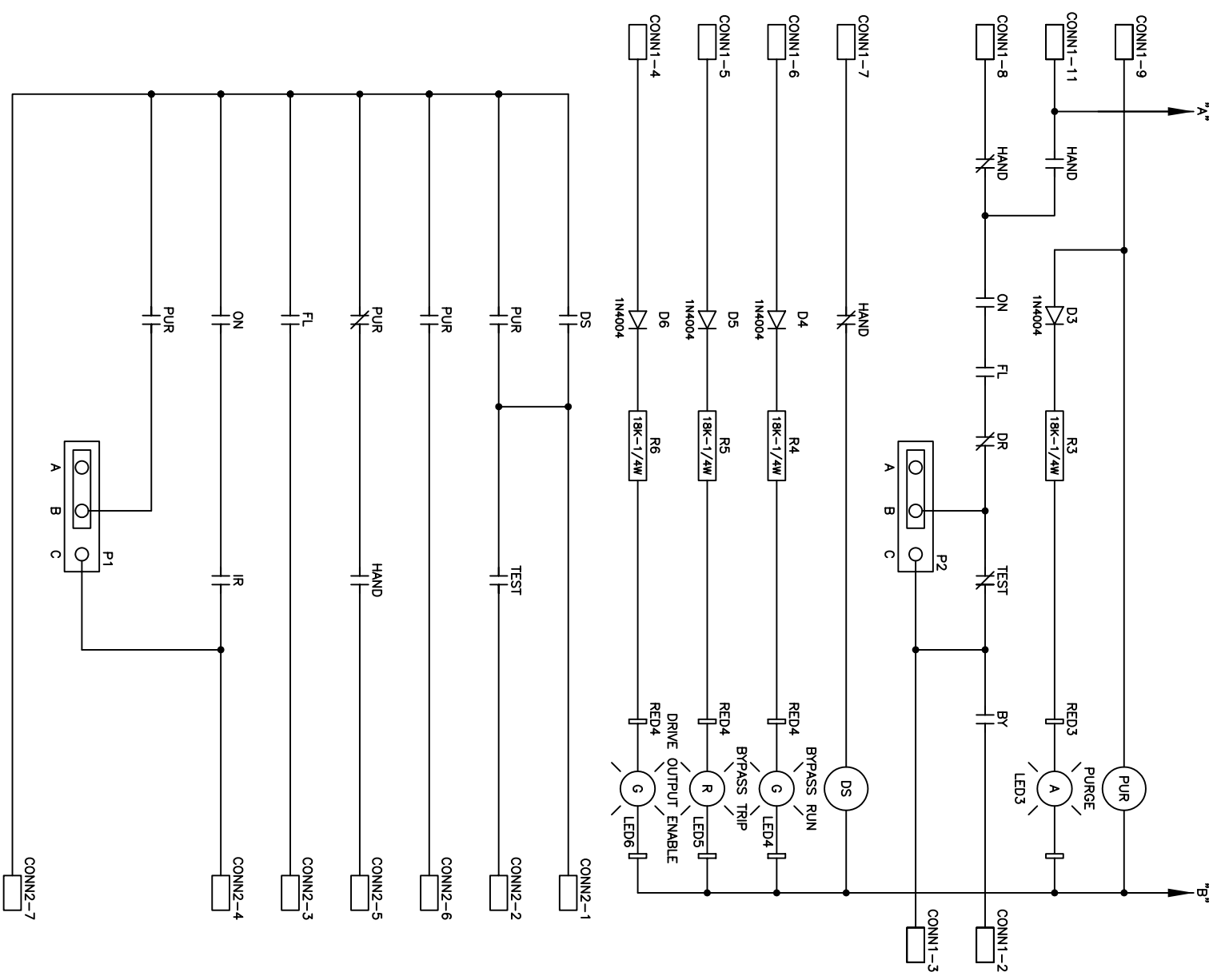
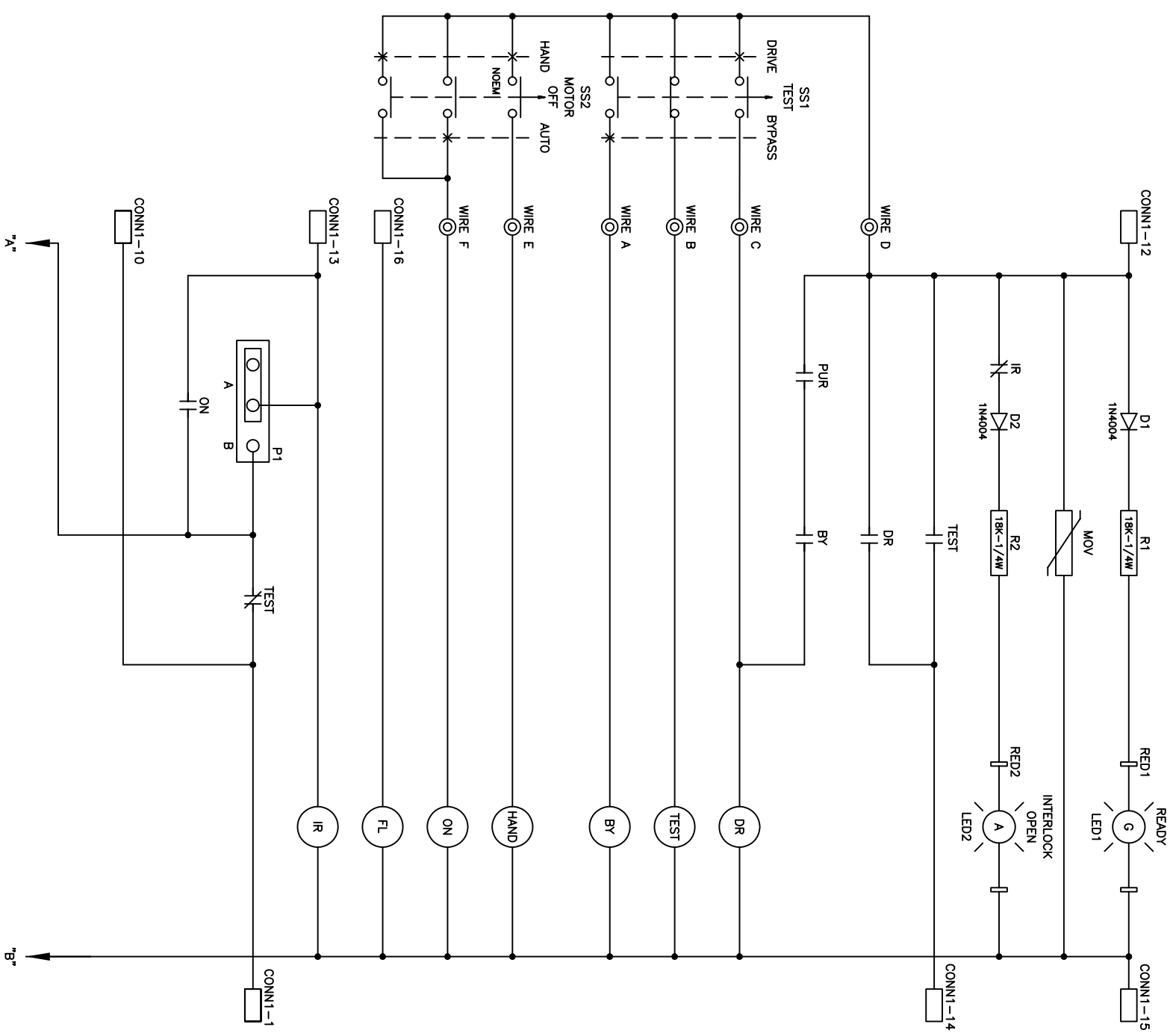
THIS DRAWING IS THE PROPERTY OF ROCKWELL AUTOMATION, INC. OR ITS SUBSIDIARIES AND MAY NOT BE COPIED, USED OR DISCLOSED FOR ANY PURPOSE EXCEPT AS AUTHORIZED IN WRITING BY ROCKWELL AUTOMATION, INC.

TITLE: SCHEMATIC DRAWING - PF70, STYLE B  
 1-15HP @ 208VAC & 1-50HP @ 460VAC

DR. BY	REH/ACI	CHK. BY	AVR/ACI	ENG. DATE
DATE	6/12/07	DATE	6/12/07	DATE

DWG. NO. 98D01209 -

NEXT SH.	2	SH. NO.	1
----------	---	---------	---



44	DATE	BY	APPROVAL
45			DESIGN REVIEW
46			FDR MANUFACTURING
			AS SHIPPED
			AS COMMISSIONED

REV.	DATE	BY	ECN/CR. NDI	DR. BY	REH/ACI	CHK. BY	AVR/ACI	ENG.	DATE	DWG.	NDI.	NEXT	SH.	SH.	NDI.
A	6/12/07	REH										2	2		2

**Rockwell Automation**

THIS DRAWING IS THE PROPERTY OF ROCKWELL AUTOMATION, INC. OR ITS SUBSIDIARIES AND MAY NOT BE COPIED, USED OR DISCLOSED FOR ANY PURPOSE EXCEPT AS AUTHORIZED IN WRITING BY ROCKWELL AUTOMATION, INC.

TITLE: SCHEMATIC DRAWING - PF70, STYLE B  
 1-25HP @ 208VAC & 1-50HP @ 460VAC

DR. BY REH/ACI DATE 6/12/07  
 CHK. BY AVR/ACI DATE 6/12/07  
 ENG. DATE  
 DWG. NDI. 98D01209 -  
 NEXT SH. 2 SH. 2