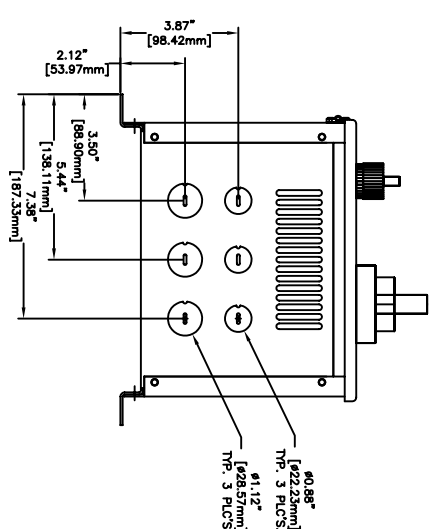
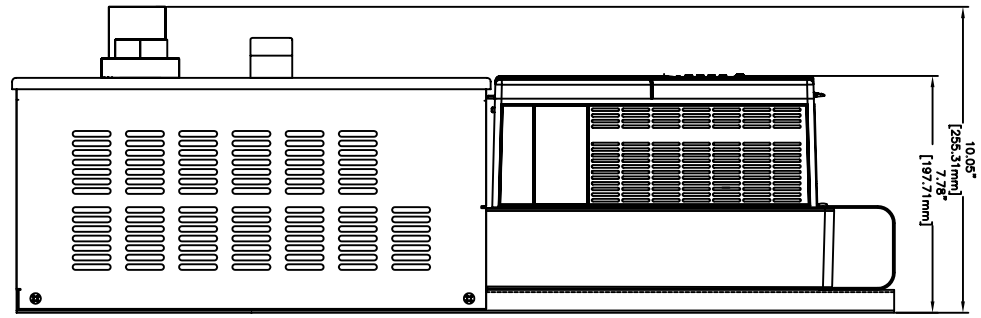
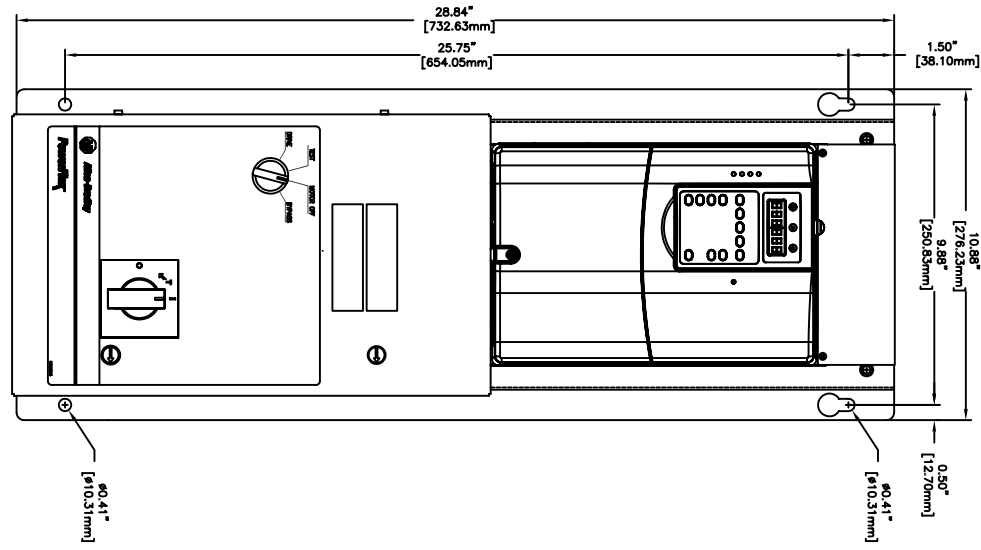


01
02
03
04
05
06
07
08
09
10
11
12
13
14
15
16
17
18
19
20
21
22



DATE	BY	APPROVAL
		DESIGN REVIEW
		FOR MANUFACTURING
		AS SHIPPED
		AS COMMISSIONED

REV.	DATE	BY	ECN/CR. NO.

DR. BY	JWF/ACI	CHK. BY	JFH/ACI	ENG.	DATE	DWG. NO.	93E01204 -	NEXT SH.	1	SH. NO.	1
DATE	1/17/05	DATE	1/17/05	DATE							

Rockwell Automation

THIS DRAWING IS THE PROPERTY OF ROCKWELL AUTOMATION, INC. OR ITS SUBSIDIARIES AND MAY NOT BE COPIED, USED OR DISCLOSED FOR ANY PURPOSE EXCEPT AS AUTHORIZED IN WRITING BY ROCKWELL AUTOMATION, INC.

TITLE: **PLC RACKING - P770, STYLE C**

7/2-10# & 460VAC

01
02
03
04
05
06
07
08
09
10
11
12
13
14
15
16
17
18
19
20
21
22