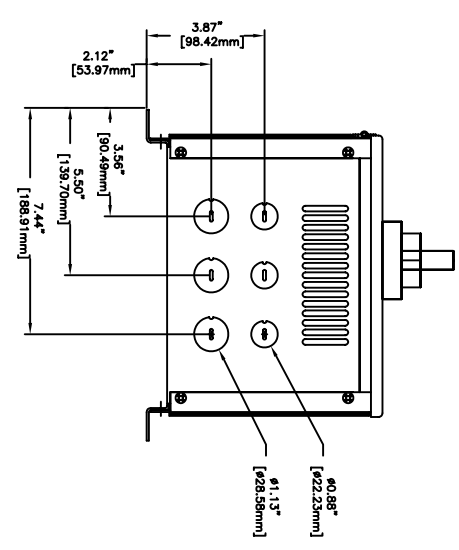
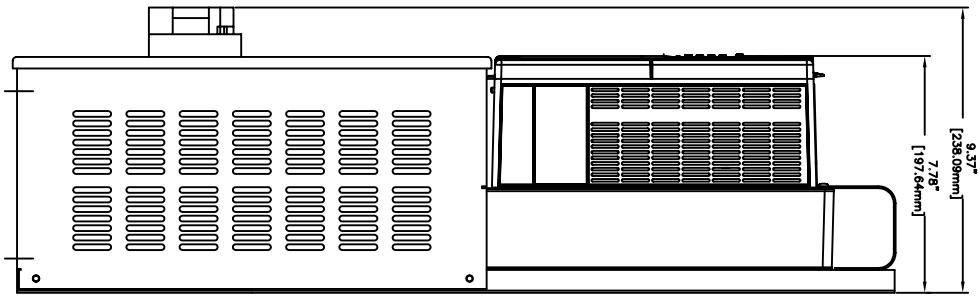
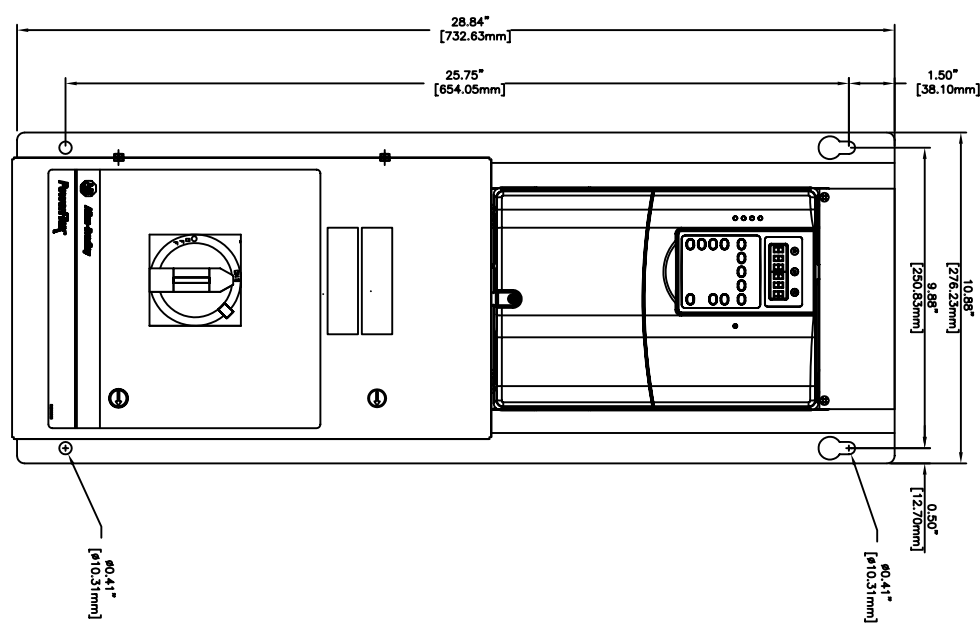


01
02
03
04
05
06
07
08
09
10
11
12
13
14
15
16
17
18
19
20
21
22



DATE	BY	APPROVAL
		DESIGN REVIEW
		FOR MANUFACTURING
		AS SHIPPED
		AS COMMISSIONED

REV.	DATE	BY	ECON/GR. NO.

DR. BY	CHK. BY	ENG.	DWG. NO.	REV.	DATE
JRF/ACI	JFH/ACI		95E01078-	1	10/11/04
DATE	DATE	DATE			
10/11/04	10/11/04				

Rockwell Automation

THIS DRAWING IS THE PROPERTY OF ROCKWELL AUTOMATION, INC. OR ITS SUBSIDIARIES AND MAY NOT BE COPIED, USED OR DISCLOSED FOR ANY PURPOSE EXCEPT AS AUTHORIZED IN WRITING BY ROCKWELL AUTOMATION, INC.

TITLE: REPAIRING - RT70 - STYLE A
SHP e 608VAC, 7.5-10HP e 460VAC & 7.5-10HP e 575VAC

01
02
03
04
05
06
07
08
09
10
11
12
13
14
15
16
17
18
19
20
21
22