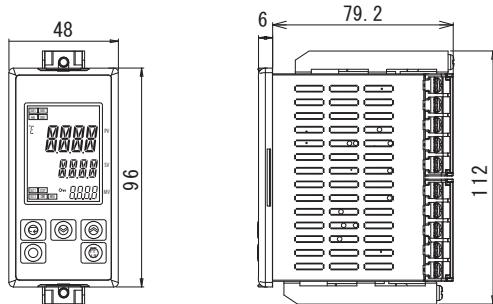


Bulletin 900-TC
Digital Temperature Controller
 Approximate Dimensions

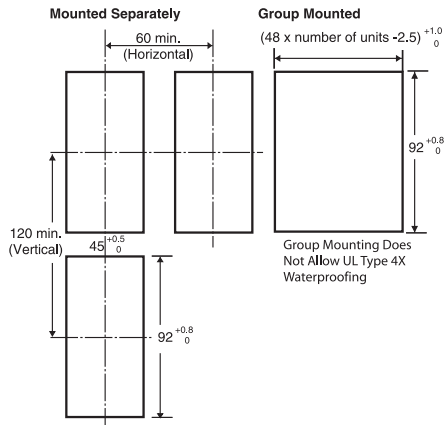
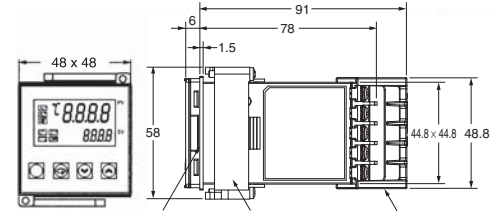
Approximate Dimensions

Approximate dimensions are shown in millimeters unless otherwise indicated (to convert to inches, multiply by 0.0394). Dimensions are not to be used for manufacturing purposes.

Bulletin 900-TC8



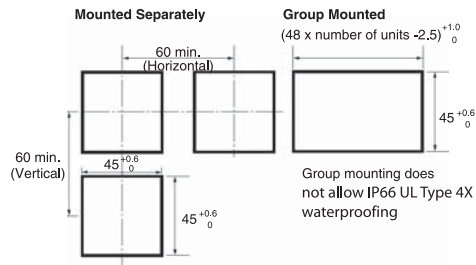
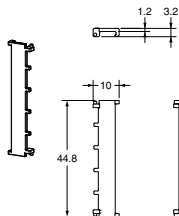
Bulletin 900-TC16



Panel Cutouts

- Recommended panel thickness is 1...8 mm.
- Group mounting is not possible in the vertical direction. (Maintain the specified mounting space between controllers when they are group mounted. UL Type 4X is not possible when group mounting.)
- To mount the unit so that it is waterproof, apply the waterproof gasket to the unit
- When two or more units are mounted together, make sure that the surrounding ambient temperature does not exceed the allowable operating temperature specification.

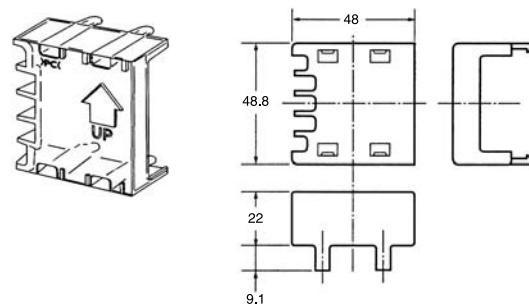
Safety Terminal Cover*



Panel Cutouts

- Recommended panel thickness is 1...5 mm.
- Group mounting is not possible in the vertical direction. (Maintain the specified mounting space between Controllers when they are group mounted. IP66 UL Type 4X is not possible when group mounting.)
- To mount the unit so that it is waterproof, apply the waterproof gasket to the unit.
- When two or more units are mounted together, make sure that the surrounding ambient temperature does not exceed the allowable operating temperature specification.

Safety Terminal Cover*

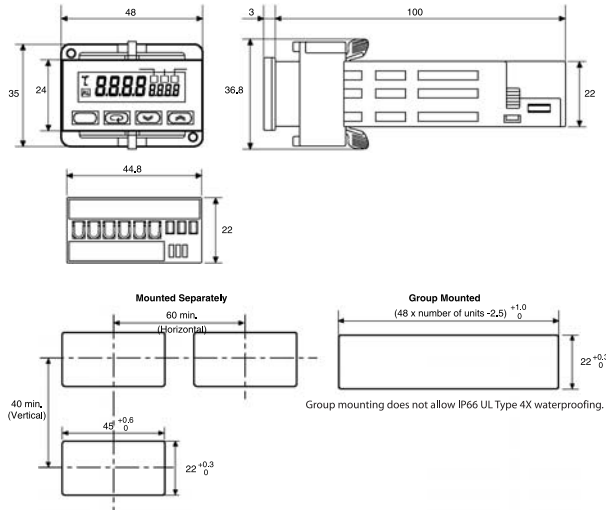


* Conforms to VDE 0106 (finger protection) when installed on the controller.

Bulletin 900-TC
Digital Temperature Controller
 Approximate Dimensions, Continued

Approximate dimensions are shown in millimeters unless otherwise indicated (to convert to inches, multiply by 0.0394). Dimensions are not to be used for manufacturing purposes.

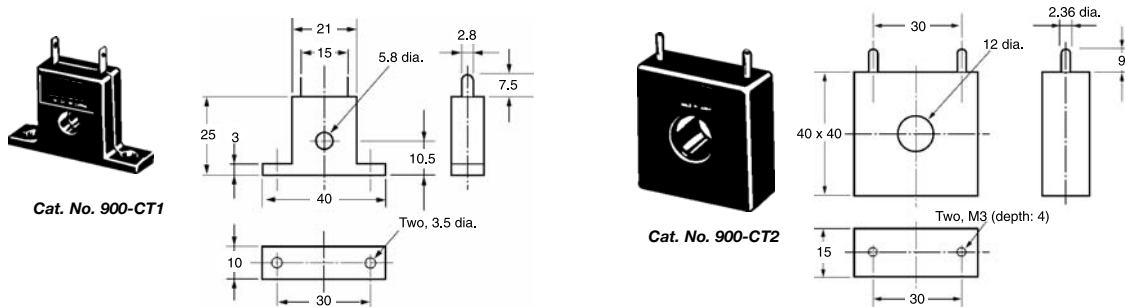
Bulletin 900-TC32



- Recommended panel thickness is 1...5 mm.
- When carrying out maintenance on the unit, the I/O wiring terminal block can be removed from the module with the terminal leads still attached.
- Group mounting is not possible in the vertical direction. (Maintain the specified mounting space between controllers when they are group mounted. IP66 UL Type 4X is not possible when group mounting.)
- To mount the unit so that it is waterproof, apply the waterproof gasket to the unit.
- When two or more units are mounted together, make sure that the surrounding ambient temperature does not exceed the allowable operating temperature specification.

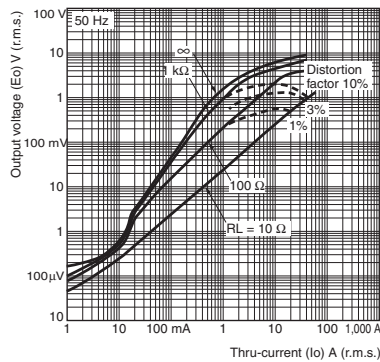
Panel Cutouts

Current Transformer (Sold Separately) (Bulletins 900-TC8 and 900-TC16 Only)



Note: The hole diameter is the major functional difference between the Cat. No. 900-CT1 and the Cat. No. 900-CT2. The current output signal is the same.

900-CT1 Thru-current (Io) vs. Output Voltage (Eo) Reference Values



900-CT2 Thru-current (Io) vs. Output Voltage (Eo) Reference Values

