
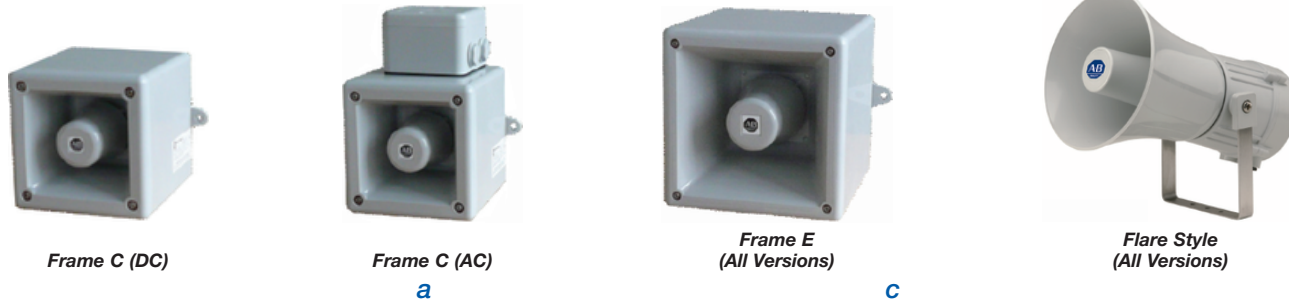


Bulletin 855H  
**Recordable Horns**  
 Product Selection

	<p><b>Bulletin 855H — Recordable Electronic Horns</b></p> <ul style="list-style-type: none"> <li>• On-board microphone - ideal for single device installations</li> <li>• Audio input to each unit - record from any analog source</li> <li>• Replicate content to other devices - master/slave capability</li> <li>• Synchronized output in multi-horn installations</li> <li>• Separate volume control for recorded content and alarm tones</li> <li>• Four remotely selectable alarm stages</li> <li>• 45 alarm tones selectable by DIP switch</li> <li>• No proprietary software required - no third party firmware format conversion</li> </ul>	<p><b>Table of Contents</b></p> <p>Product Selection ..... [T-              Accessories..... [T-              Specifications..... [T-              Approximate              Dimensions..... [T-</p> <p><b>Standards Compliance</b></p> <p>UL 464              CSA C22.2 No. 205              EN 60065              EN 6100-6-1              EN 6100-6-2              EN 6100-6-3              EN 6100-6-4</p> <p><b>Certifications</b></p> <p>cULus Listed (File No. S6583,              Guides UCST, UCST7)              CE Marked</p>
---	--	---

**Product Selection**  
 Recordable Electronic Horns

855H -   R     30     C    
           a      b      c



**a**

Product Type	
Code	Description
R	Recordable horn

**b**

Voltage	
Code	Description
30	10...30V DC★
45	90...260V AC 50/60 Hz

★ Frame C is 10...30V DC  
 Frame E and Flare are 14...30V DC

**c**

Frame Size	
Code	Description
C	Frame C, 101 dB(A) voice, 110 dB(A) tone at 1 m, 45 tones, grey housing
E	Frame E, 111 dB(A) voice, 126 dB(A) tone at 1 m, 45 tones, grey housing
F	Flare style, 111 dB(A) voice, 126 dB(A) tone at 1 m, 45 tones, grey housing

Sound Output	Supply Voltage	Cat. No.
101 db(A) voice, 110 dB(A) tone at 1 m 45 selectable tones, 4 stages	10...30V DC	855H-R30C
101 db(A) voice, 110 dB(A) tone at 1 m 45 selectable tones, 4 stages	90...260V AC, 50/60 Hz	855H-R45C
111 db(A) voice, 126 dB(A) tone at 1 m 45 selectable tones, 4 stages	14...30V DC	855H-R30E
111 db(A) voice, 126 dB(A) tone at 1 m 45 selectable tones, 4 stages	90...260V AC, 50/60 Hz	855H-R45E
111 db(A) voice, 126 dB(A) tone at 1 m 45 selectable tones, 4 stages	14...30V DC	855H-R30F
111 db(A) voice, 126 dB(A) tone at 1 m 45 selectable tones, 4 stages	90...260V AC, 50/60 Hz	855H-R45F

Bulletin 855H  
**Recordable Horns**  
 Product Selection/Accessories

Recordable Electronic Horns with Attached LED Beacons

855H – RC    30    C    3  
                   *a*        *b*        *c*        *d*



Frame C Horn with Beacon (DC)



Frame C Horn with Beacon (AC)



Frame E Horn with Beacon (All Versions)

*a*

Product Type★	
Code	Description
RC	Recordable horn with LED beacon, grey housing

*b*

Voltage	
Code	Description
30	12...30V DC‡
45	90...260V AC, 50/60 Hz

*c*

Horn Type	
Code	Description
C	Frame C, 101 dB(A) voice, 110 dB(A) tone at 1 m 45 selectable tones, 4 stages
E	Frame E, 111 dB(A) voice, 126 dB(A) tone at 1 m 45 selectable tones, 4 stages



*d*

LED Color	
Code	Description
3	Green
4	Red
5	Amber

- ★ LED beacon steady or flashing selectable.
- ‡ Frame C is 12...30V DC
- Frame E is 14...30V DC

Sound Output	Voltage	Beacon LED Color	Cat. No.
101 dB(A) voice, 110 dB(A) tone at 1 m 45 selectable tones, 4 stages	12...30V DC	Green	855H-RC30C3
		Red	855H-RC30C4
		Amber	855H-RC30C5
	90...260V AC, 50/60 Hz	Green	855H-RC45C3
		Red	855H-RC45C4
		Amber	855H-RC45C5
111 dB(A) voice, 126 dB(A) tone at 1 m 45 selectable tones, 4 stages	14...30V DC	Green	855H-RC30E3
		Red	855H-RC30E4
		Amber	855H-RC30E5
	90...260V AC, 50/60 Hz	Green	855H-RC45E3
		Red	855H-RC45E4
		Amber	855H-RC45E5

Accessories

	Description	Cat. No.
	<b>Cable Kit</b> — includes 0.3 m master/slave cable and 1 m audio cable	855H-AMSC
	<b>Replacement Beacon Light Lens</b>	855B-ABL

## Bulletin 855H

# Recordable Horns

### Specifications

### Specifications

#### Recordable Horns and Horns with LED Beacons

Mechanical Ratings			
Shock and Vibration		Listed below are reference guidelines for maximum shock and vibration standards for the 855H.	
		Shock	Vibration
Frame C Horn		15 G	3 G
Frame E Horn			1 G
Flare Style			1 G
Frame C Horn with LED Beacon			3 G
Frame E Horn with LED Beacon			1 G
Environmental Ratings			
Ingress Ratings	Electronic Horns Horn with Beacon	Frame C & E: UL Type 3R, 4/4X, 13, IP66 Flare: UL Type 3R, 4/4X, 13, IP66/IP67	
		Operating	Storage
Temperature Ranges	Electronic Horns Horns with Beacons	-25...+55 °C (-13...+131 °F)	-40...+70 °C (-40...+158 °F)
Materials			
Horn Cover and Base		ABS	
Beacon Housing		Polycarbonate	
Beacon Lens			
Gasket (Cover to Base)		Nitrile 70	
Gasket (Enclosure back to wall)		Closed cell neoprene foam	
Gasket (Horn to Beacon)			
Gasket (Screw Mounting Hole)		Fiber	
Performance Ratings			
		<b>Max. Sound Output @ 1 m</b>	
Frame C Horn		110 dB(A) tone, 103 dB(A) music, 101 dB(A) voice	
Frame E Horn		126 dB(A) tone, 112 dB(A) music, 111 dB(A) voice	
Flare Style			
Operating Voltage			
		DC Voltage	AC Voltage
All Horns		Frame C: 10...30V DC Frame E & Flare: 14...30V DC	90...260V AC, 50/60 Hz
All Horns with LED Beacon		Frame C: 12...30V DC Frame E: 14...30V DC	
Current Consumption			
	Horns	Frame C	Frame E
24V DC		256 mA (max)	1.51 A (max)
120V AC 50/60 Hz		112 mA (max)	542 mA (max)
230V AC 50/60 Hz		124 mA (max)	517 mA (max)
	Horns with LED Beacon		
24V DC		413 mA (max)	1.67 mA (max)
120V AC 50/60 Hz		172 mA (max)	602 mA (max)
230V AC 50/60 Hz		159 mA (max)	552 mA (max)
			—
			—
			—
Flashing Frequency			
LED Beacon		2 Hz	
LED Light Output		Red = 66 cd Amber = 78 cd Green = 129 cd	

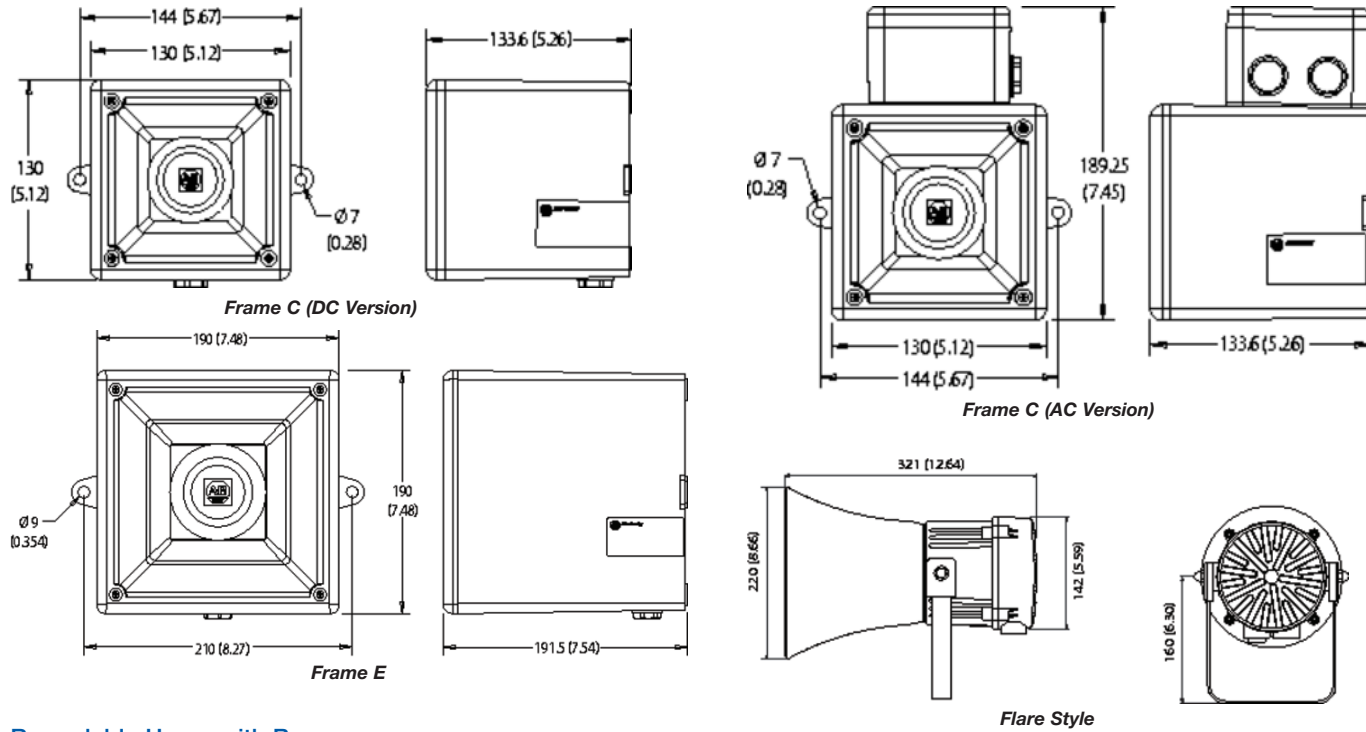


Bulletin 855H  
**Recordable Horns**  
 Approximate Dimensions

**Approximate Dimensions**

Dimensions in millimeters (inches). Dimensions are not intended to be used for manufacturing purposes.

**Recordable Horns**



**Recordable Horns with Beacon**

