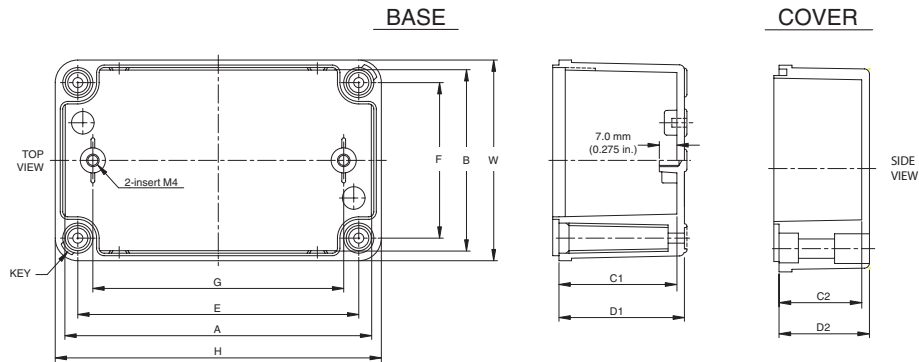


Push Button Enclosure



Cat. No.	Overall Dimension				Inside Dimension				Enclosure Mounting Dimension		G
	H	W	D1	D2	A	B	C1	C2	E	F	
800H-1HZ4C	110 mm (4.33 in.)	80 mm (3.15 in.)	50 mm (1.97 in.)	20 mm (0.79 in.)	104 mm (4.09 in.)	74 mm (2.91 in.)	46.5 mm (1.83 in.)	16.5 mm (0.65 in.)	92 mm (3.62 in.)	62 mm (2.44 in.)	80 mm (3.15 in.)
800H-2HZ4C	130 mm (5.12 in.)	80 mm (3.15 in.)	50 mm (1.97 in.)	35 mm (1.38 in.)	120 mm (4.72 in.)	70 mm (2.76 in.)	46.5 mm (1.83 in.)	31.5 mm (1.24 in.)	112 mm (4.41 in.)	62 mm (2.44 in.)	100 mm (3.94 in.)
800H-3HZ4C	180 mm (7.09 in.)	80 mm (3.15 in.)	50 mm (1.97 in.)	35 mm (1.38 in.)	170 mm (6.69 in.)	70 mm (2.76 in.)	46.5 mm (1.83 in.)	31.5 mm (1.24 in.)	162 mm (6.38 in.)	62 mm (2.44 in.)	150 mm (5.91 in.)
800H-4HZ4C	250 mm (9.84 in.)	80 mm (3.15 in.)	50 mm (1.97 in.)	35 mm (1.38 in.)	240 mm (9.45 in.)	70 mm (2.76 in.)	46.5 mm (1.83 in.)	31.5 mm (1.24 in.)	232 mm (9.13 in.)	62 mm (2.44 in.)	220 mm (8.66 in.)

Push Button Hole

