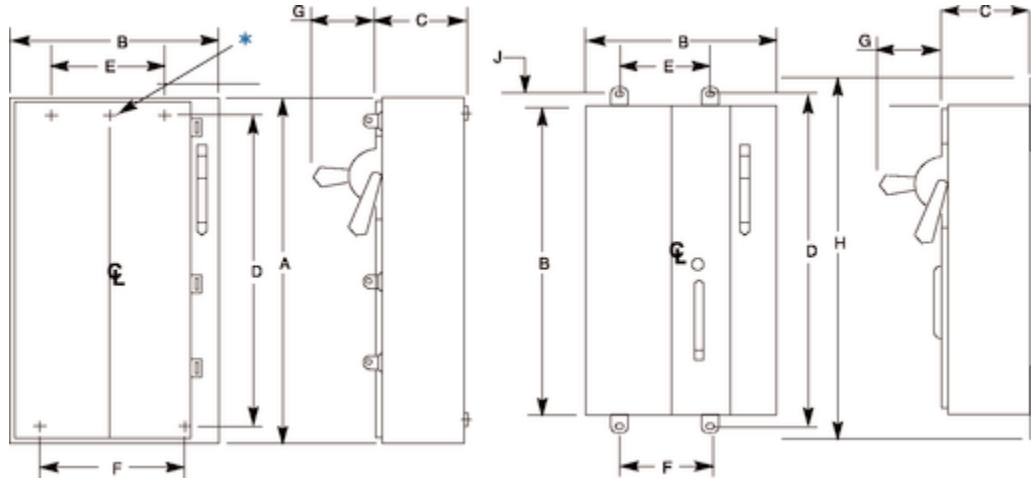


# Vacuum Combination Starters and Pump Control Panels

Approximate Dimensions, Continued

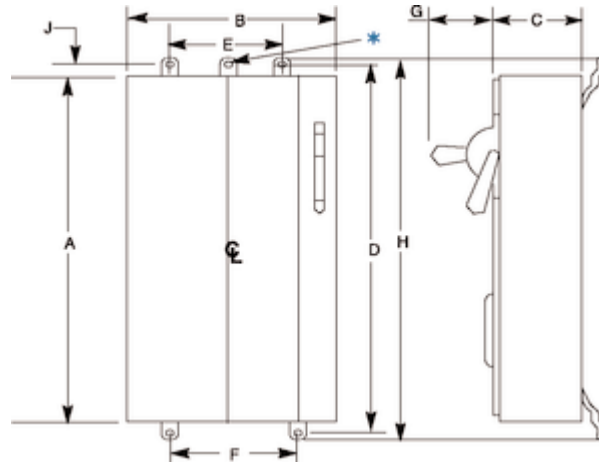
Approximate dimensions are shown in inches (millimeters). Dimensions are not intended to be used for manufacturing purposes.

## Type 1 (Enclosure Code "A") General Purpose Painted Enclosure for Bulletins 512V and 513V



NEMA Size	Bulletin No.	Approximate Dimensions in Inches (Millimeters)							Approx. Shipping Weight in lbs (kg)
		A Height	B Width	C Depth	D Mounting	E Mounting	F Mounting	G Handle Depth	
4	512V	50 (1270)	22 (559)	11.5 (292)	51.38 (1305)	15.25 (387)	15.25 (387)	5.56 (141)	250 (113.4)
	513V	30 (762)	20.5 (521)	10.19 (259)	31.98 (797.05)	15.25 (387)	15.25 (387)	5.56 (141)	90 (40.82)
5	512V	56 (1422)	30.5 (775)	13.79 (350)	57.63 (1463)	20 (508)	25.25 (641)	7.62 (194)	360 (163.3)
	513V								

## Type 3R/4/12 (Enclosure Codes "D", "F", and "J") Rainproof, Dusttight — Industrial Use Enclosures for Bulletins 512V and 513V



NEMA Size	Bulletin No.	Approximate Dimensions in Inches (Millimeters)							Approx. Shipping Weight in lbs (kg)
		A Height	B Width	C Depth	D Mounting	E Mounting	F Mounting	G Handle Depth	
4	512V	50 (1270)	22 (559)	11.5 (292)	51.38 (1305)	15.25 (387)	15.25 (387)	5.56 (141)	250 (113.4)
	513V	30 (762)	20.5 (521)	10.19 (259)	31.98 (797.05)	15.25 (387)	15.25 (387)	5.56 (141)	90 (40.82)
5	512V	56 (1422)	30.5 (775)	13.79 (350)	57.63 (1463)	20 (508)	25.25 (641)	7.62 (194)	360 (163.3)
	513V								
6	512V*/513V	60 (1524)	37.38 (949)	16 (406)	61.69 (1567)	33.88 (861)	33.88 (861)	7.62 (194)	420 (190.5)
	512V*								

\* All Bulletin 512V Combination Starters (Size 6), except those containing "-29R" fuse clips.

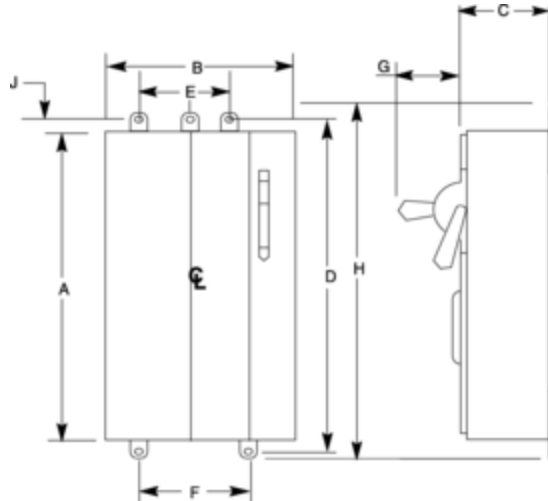
\* Only Bulletin 512V Combination Starters (Size 6) containing "-29R" fuse clips.

## Vacuum Combination Starters and Pump Control Panels

### Approximate Dimensions, Continued

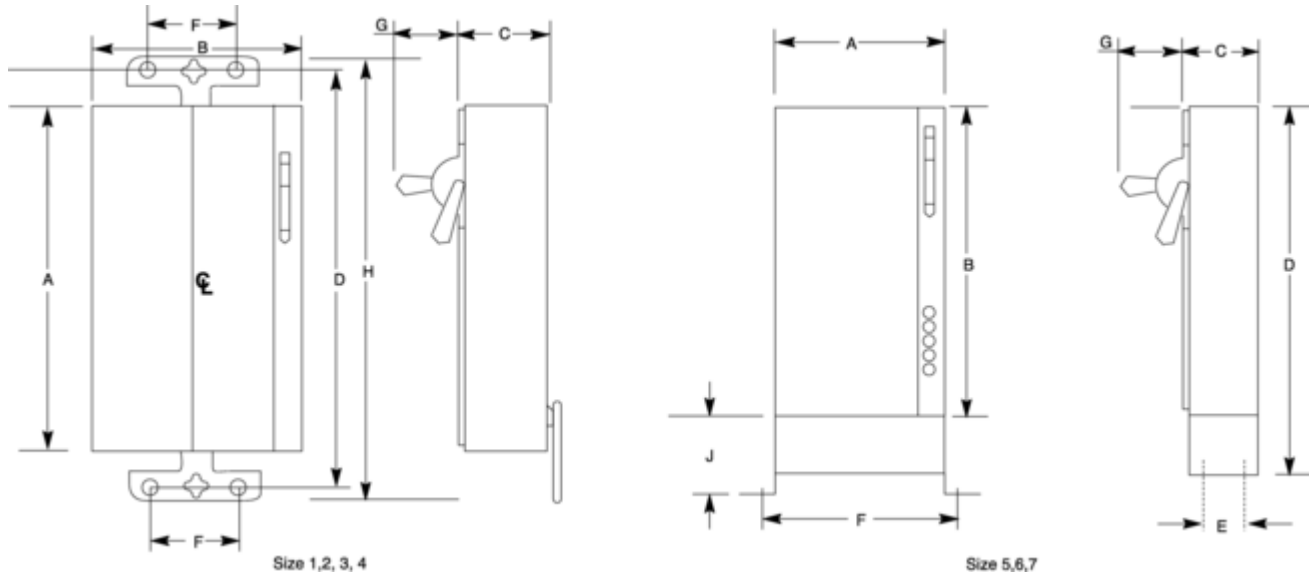
Approximate dimensions are shown in inches (millimeters). Dimensions are not intended to be used for manufacturing purposes.

Type 4/4X (Enclosure Codes "C") Stainless Steel — Industrial Use Enclosures for Bulletins 512V and 513V



NEMA Size	Bulletin No.	Approximate Dimensions in Inches (Millimeters)									Approx. Shipping Weight in lbs (kg)
		A Height	B Width	C Depth	D Mounting	E Mounting	F Mounting	G Handle Depth	H	J	
4	513V	30 (762)	20.5 (521)	9.88 (251)	31.38 (797)	17 (432)	17 (432)	5.56 (141)	32.26 (819)	0.81 (21)	90 (40.82)
4	512V	50 (1270)	22 (559)	11.19 (284)	51.38 (1305)	18.5 (470)	18.5 (470)	5.56 (141)	52.26 (1327)	0.81 (21)	250 (113.4)
5	512V/513V	56 (1422)	30.5 (775)	12.34 (313)	57.63 (1464)	20 (508)	25.25 (641)	7.62 (194)	68.62 (1489)	1 (25.4)	360 (163.3)

### Type 3R (Enclosure Code "N") Rainproof Enclosures for Bulletins 1232V and 1233V



NEMA Size	Bulletin No.	Approximate Dimensions in Inches (Millimeters)									Approx. Shipping Weight in lbs (kg)
		A Height	B Width	C Depth	D Mounting	E Mounting	F Mounting	G Handle Depth	H	J	
4	1232V	50 (1270)	22 (559)	9.90 (251)	54.88 (1394)	—	15.25 (387)	5.56 (141)	56.38 (1432)	—	250 (113.4)
	1233V										
5	1232V	56 (1422)	30.5 (775)	13.78 (350)	—	11 (194)	34 (863)	7.62 (194)	—	9.68 (246)	360 (163.3)
	1233V										
6	1232V	60 (1524)	37.38 (949)	16 (406)	—	11 (194)	40.72 (1034)	7.62 (194)	—	9.68 (246)	420 (190.5)