

ALL DIMENSIONS ARE REFERENCE ONLY

DO NOT SCALE

ALL DIMENSIONS ARE REFERENCE ONLY

This drawing is the property of Rockwell Automation & may not be used for any other purpose other than that for which it was supplied without the express written authority of Rockwell Automation.

DRG No.
440I-gnyn-40480

7

6

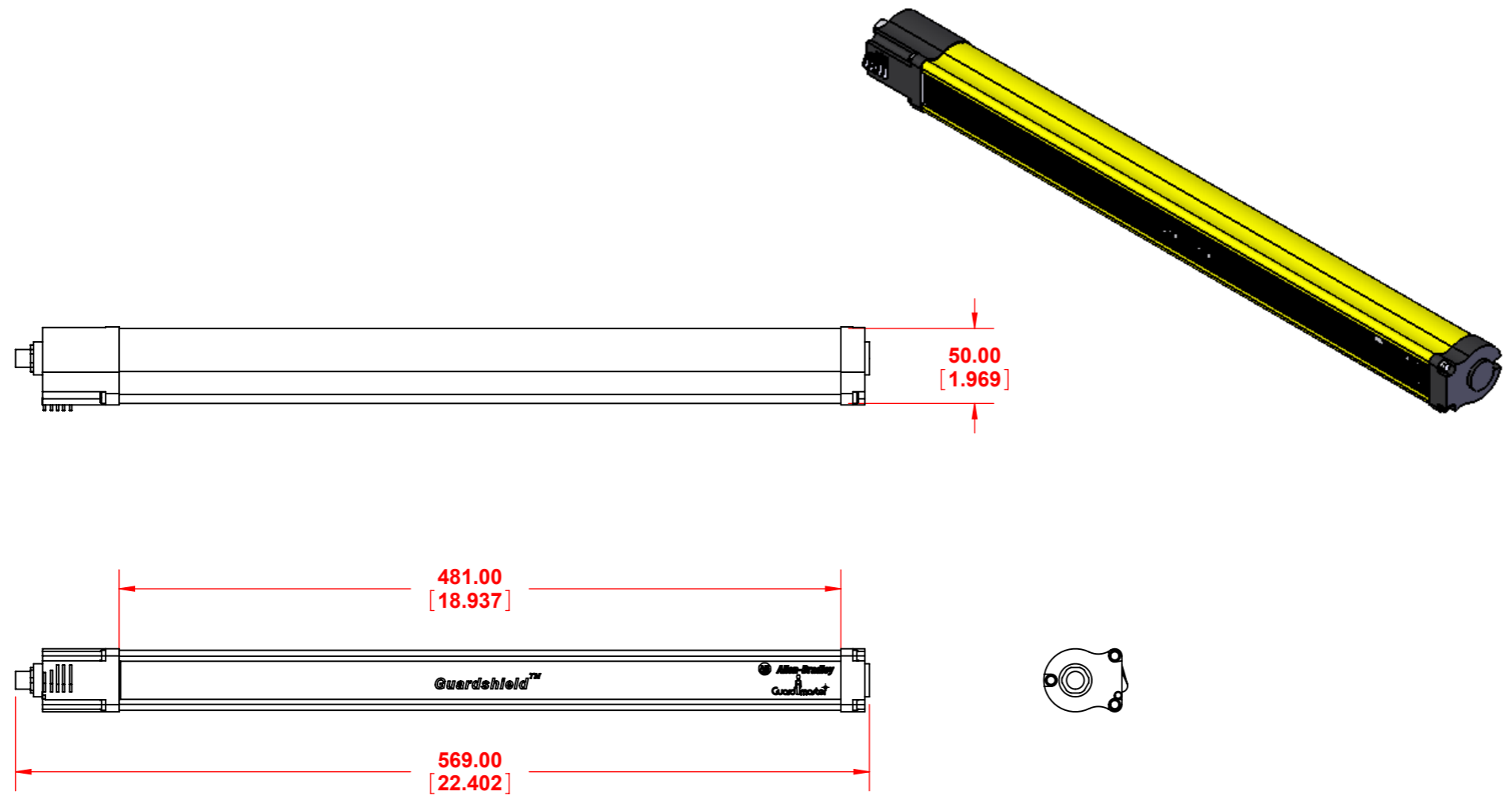
5

4

3

2

1



THIRD ANGLE PROJ.  SCALE 1:4

MATERIAL N/A

FINISH N/A

TITLE -



DRAWN _____ DATE _____

CHECKED _____ DATE _____

APPROVED _____ DATE _____

Drawing No.
440I-gnyn-40480

Rockwell Automation