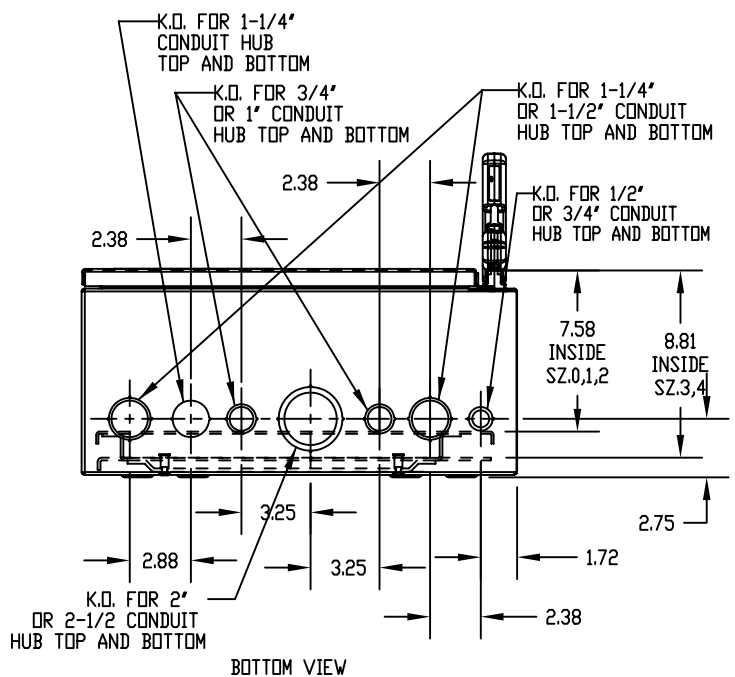
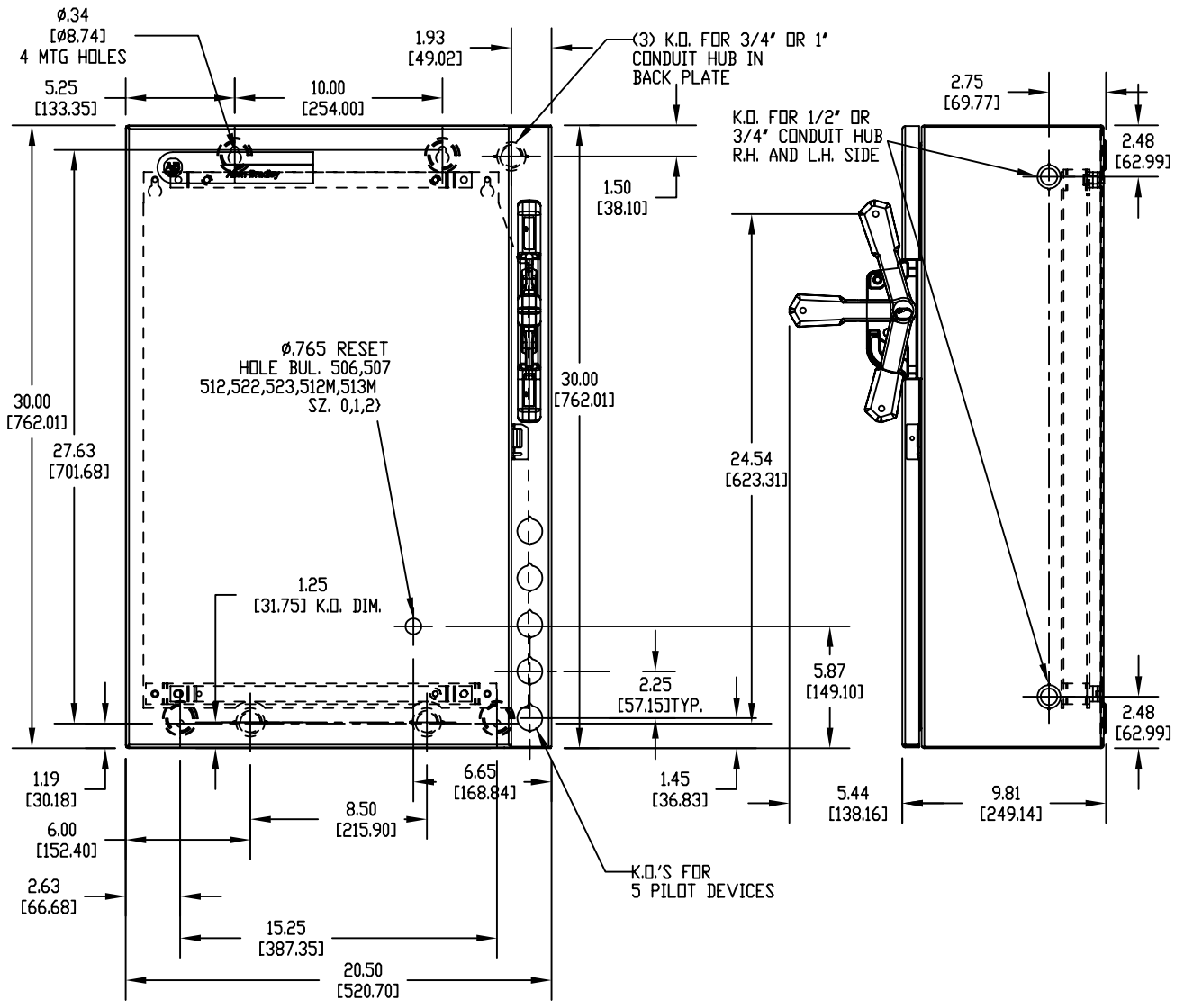


# DRAWING FOR 20.50" X 30.00" NEMA TYPE 1 ENCLOSURE



- THIS DWG APPLIES TO:
- BUL. 506 - NEMA SIZE 0-1-2 100A-600V
  - BUL. 507 - NEMA SIZE 0-1-2
  - BUL. 512 - NEMA SIZE 2 100A-600V
  - BUL. 522 - NEMA SIZE 0-1-2
  - BUL. 523 - NEMA SIZE 0-1-2
  - BUL. 512M - NEMA SIZE 1-2
  - BUL. 513M - NEMA SIZES 1-2
  - BUL. 512 - NEMA SIZE 3
  - BUL. 513 - NEMA SIZE 3-4

NOTES:

1. ALL DIM'S. SHOWN IN PARENTHESES ARE IN MILLIMETERS.
2. ALL DIM'S. ARE APPROXIMATE AND NOT INTENDED FOR MANUFACTURING PURPOSES