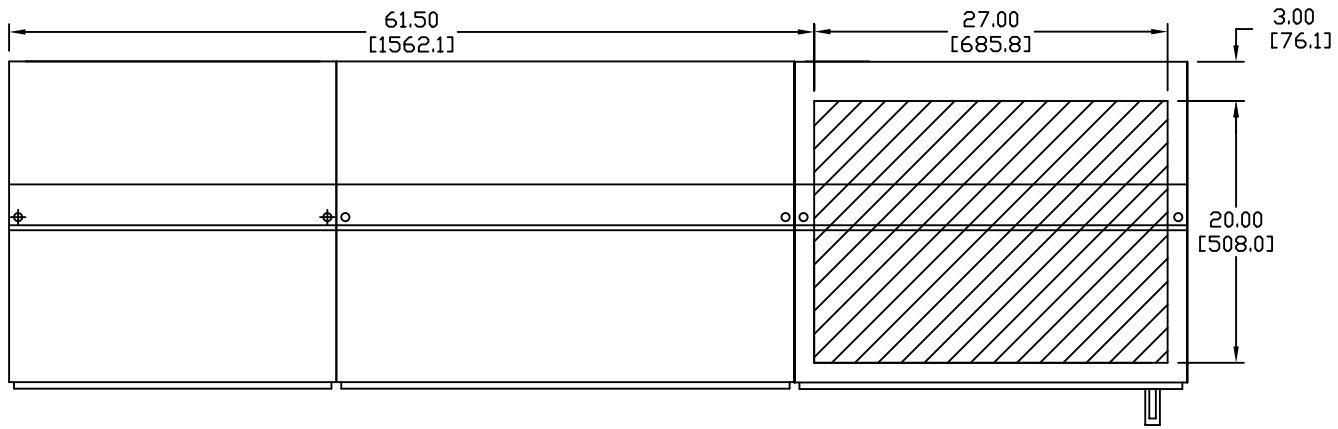


— AREA AVAILABLE FOR CONDUIT



FAN HOUSING REMOVED FOR SHIPPING

REMOVABLE LIFTING ANGLE

