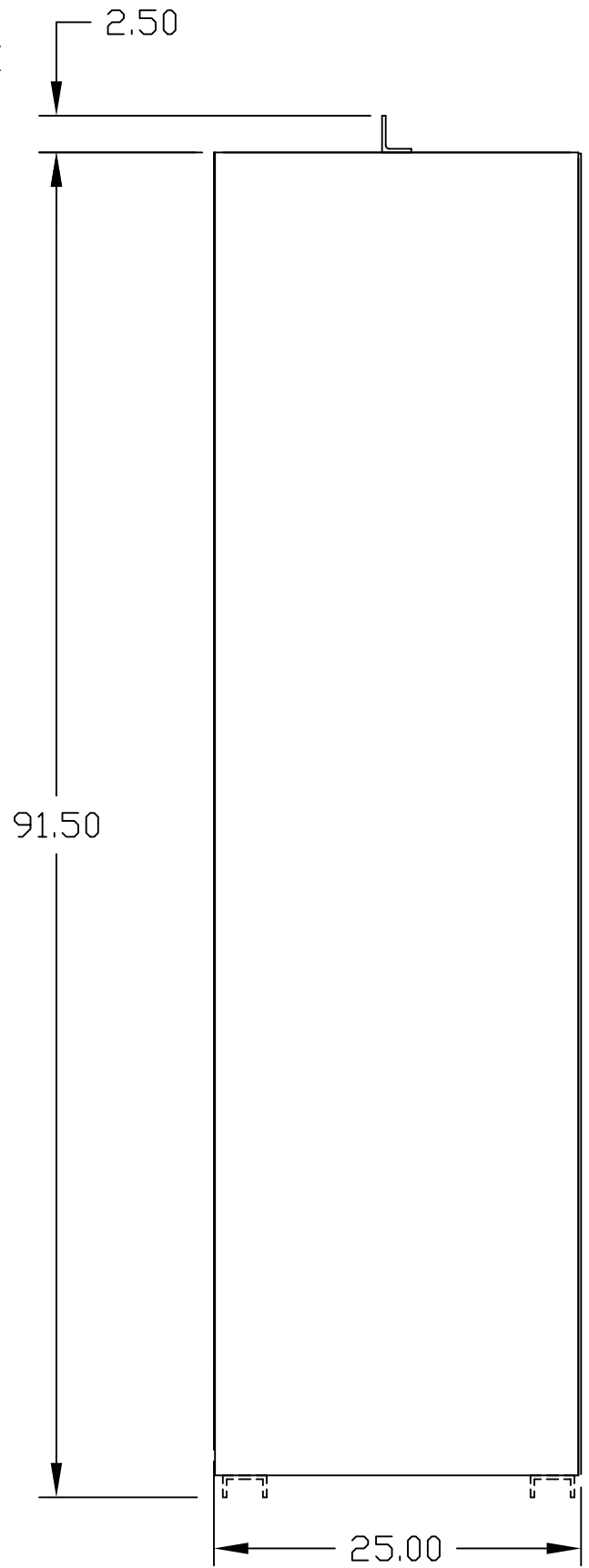
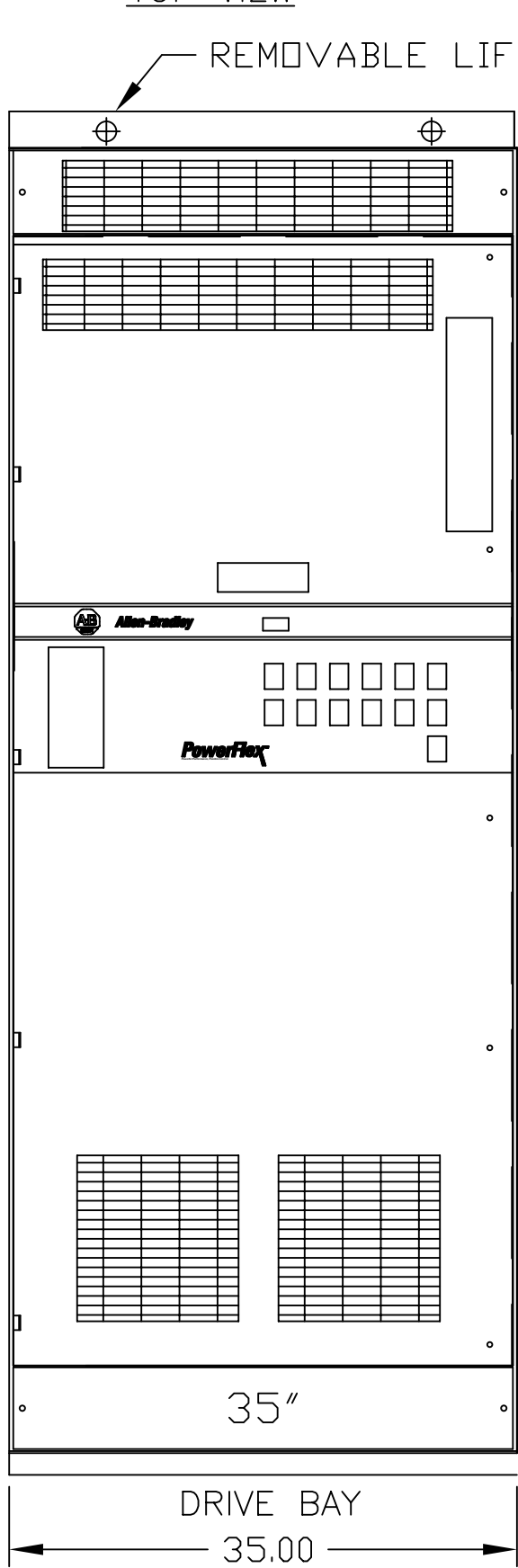
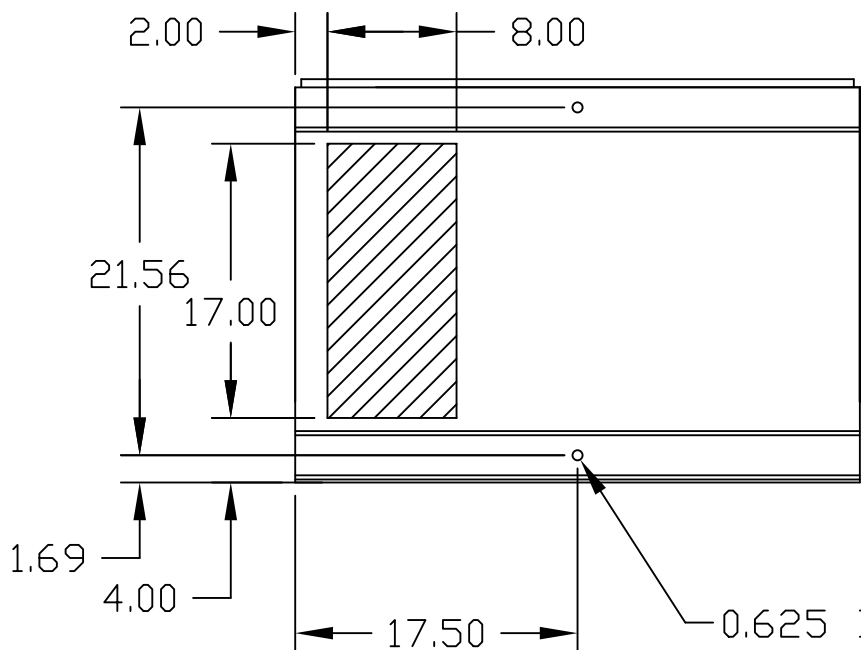


— AREA AVAILABLE FOR CONDUIT

TOP VIEW



SIDE VIEW



BOTTOM VIEW