

### 1492-XIM4024-8R

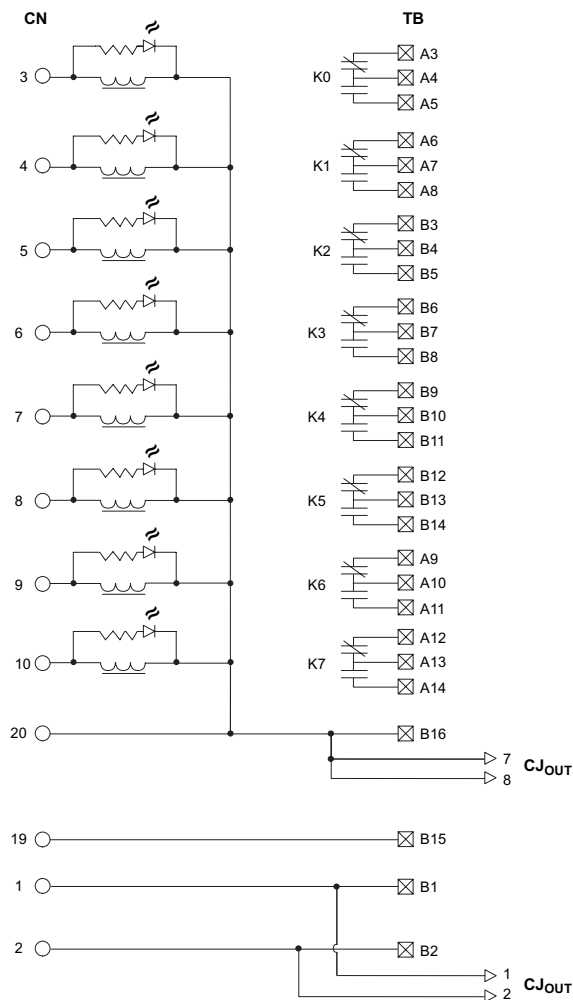
Relay Master (LED Indicating) 40-Pin Master with Eight (8) 24V DC Relays



#### Application Notes

1. **Compatibility** — To ensure proper operation with the I/O module, do **not** exceed the voltage and current ratings of the XIM.
2. **Wiring** — Refer to the Label Section on page 174. For Field-Side Wiring Diagrams, refer to the Wiring System web site information on page 200.
3. **Dimensions** — Refer to page 164.
4. **Maximum Relay Switching** — Refer to page 185.
5. LEDs provide PLC output ON/OFF indication.
6. With expansion module(s) and cable (included with expansion module) can expand to 32 relays.

#### Pinout



### 1492-XIM4024-8R, Continued

Pinout, Continued

