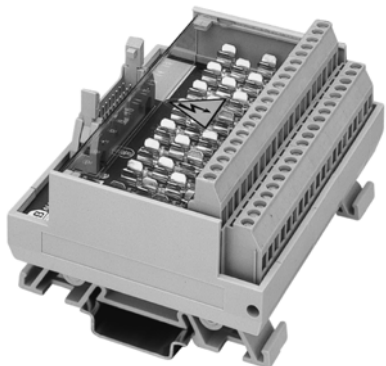


1492-IFM20F-F-2
1492-RIFM20F-F-2

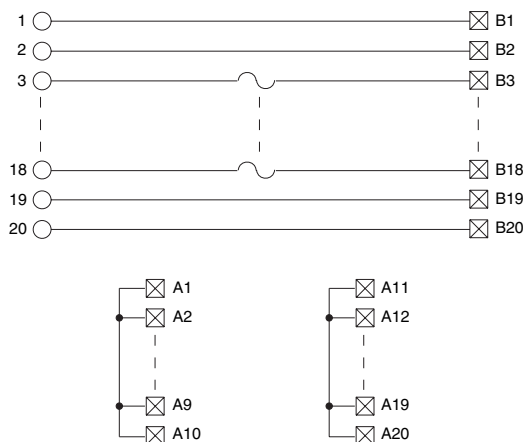
Fusible Extra Terminals for Outputs



Application Notes

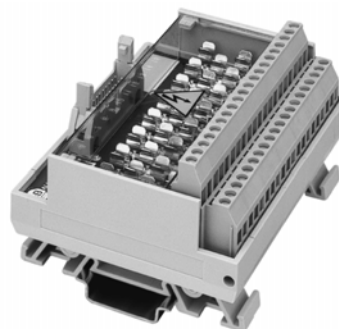
1. **Compatibility** — To ensure proper operation with the I/O module, do **not** exceed the voltage and current ratings of the IFM.
2. **Wiring** — Refer to the Label Section on page 174. For Field-Side Wiring Diagrams, refer to the Wiring System web site information on page 200.
3. **Fusing** — Fuse holders are included with the IFM. Fuses (5 x 20 mm) are not included.
4. **Isolation** — The power bus and fuse clips are isolated into two groups of 10 terminals (eight fuse clips). This allows each group of output devices to reference a different power source.
5. **Dimensions** — Refer to page 159.

Pinout



1492-IFM20F-F24-2
1492-RIFM20F-F24-2

Fusible Extra Terminals with 24V AC/DC Blown Fuse Indicators



Application Notes

1. **Compatibility** — To ensure proper operation with the I/O module, do **not** exceed the voltage and current ratings of the IFM. When this IFM is used with a hard contact (relay) output circuit that switches an inductive load, surge suppression must be used.
2. **Wiring** — Refer to the Label Section on page 174. For Field-Side Wiring Diagrams, refer to the Wiring System web site information on page 200.
3. **Fusing** — Fuse holders are included with the IFM. Fuses (5 x 20 mm) are not included.
4. **Isolation** — The power bus, fuse clips, and blown fuse indicators are isolated into two groups of 10 terminals (eight fuse clips and blown fuse indicators). This allows each group of output devices to reference a different power source.
5. **Dimensions** — Refer to page 159.

Pinout

