

1492-IFM20D24-2

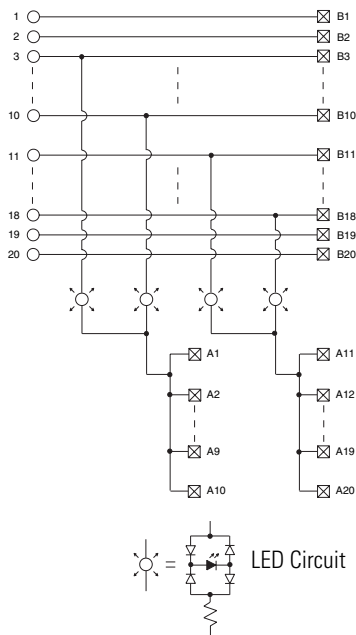
LED Indicating 24V AC/DC LEDs & Extra Terminals for Outputs



Application Notes

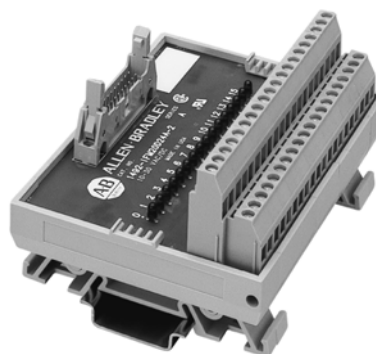
- Compatibility** — To ensure proper operation with the I/O module, do **not** exceed the voltage and current ratings of the IFM. When this IFM is used with a hard contact (relay) output circuit that switches an inductive load, surge suppression must be used (e.g., a 1N4004 diode reverse-wired across a DC load).
- Wiring** — Refer to the Label Section on page 174. For Field-Side Wiring Diagrams, refer to the Wiring System web site information on page 200.
- Isolation** — The power bus and LEDs are isolated into two groups of 10 terminals (eight LEDs). This allows each group of output devices to reference a different power source.
- Dimensions** — Refer to page 159.

Pinout



1492-IFM20D24A-2

LED Indicating 24V AC/DC LEDs & Extra Terminals for Inputs



Application Notes

- Compatibility** — To ensure proper operation with the I/O module, do **not** exceed the voltage and current ratings of the IFM. When this IFM is used with a hard contact (relay) output circuit that switches an inductive load, surge suppression must be used (e.g., a 1N4004 diode reverse-wired across a DC load).
- Wiring** — Refer to the Label Section on page 174. For Field-Side Wiring Diagrams, refer to the Wiring System web site information on page 200.
- Isolation** — The power bus comprises 20 terminals connected together. The LEDs are connected to one common. All of the I/O devices must reference the same power source.
- Dimensions** — Refer to page 159.

Pinout

