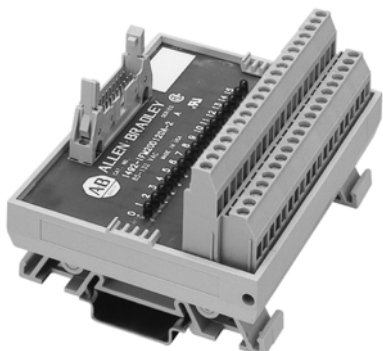


### 1492-IFM20D240-2

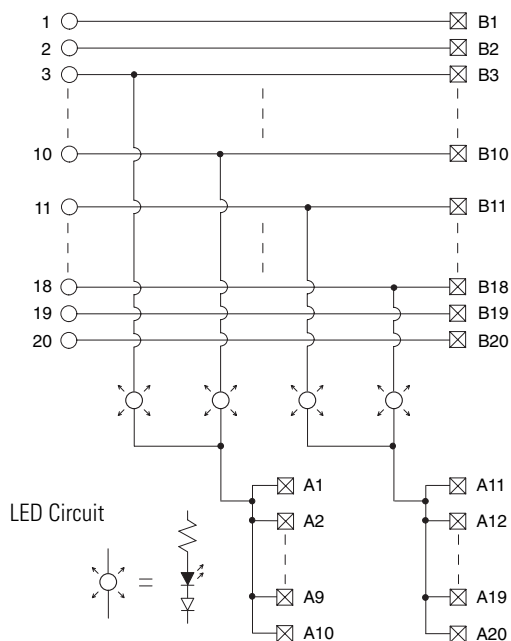
LED Indicating 240V AC LEDs & Extra Terminals for Outputs



#### Application Notes

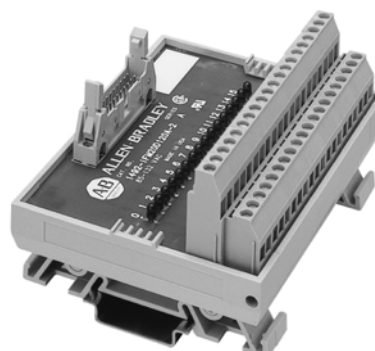
- 1. Compatibility** — To ensure proper operation with the I/O module, do **not** exceed the voltage and current ratings of the IFM. When this IFM is used with a hard contact (relay) output circuit that switches an inductive load, surge suppression must be used (e.g., an MOV wired across an AC load).
- 2. Wiring** — Refer to the Label Section on page 174. For Field-Side Wiring Diagrams, refer to the Wiring System web site information on page 200.
- 3. Isolation** — The power bus and LEDs are isolated into two groups of 10 terminals (8 LEDs). This allows each group of output devices to reference a different power supply.
- 4. Dimensions** — Refer to page 159.

#### Pinout



### 1492-IFM20D240A-2

LED Indicating 120V AC LEDs & Extra Terminals for Inputs



#### Application Notes

- 1. Compatibility** — To ensure proper operation with the I/O module, do **not** exceed the voltage and current ratings of the IFM. When this IFM is used with a hard contact (relay) output circuit that switches an inductive load, surge suppression must be used (e.g., an MOV wired across an AC load).
- 2. Wiring** — Refer to the Label Section on page 174. For Field-Side Wiring Diagrams, refer to the Wiring System web site information on page 200.
- 3. Isolation** — The power bus comprises 20 terminals connected together. The LEDs are connected to one common. All of the I/O devices must reference the same power source.
- 4. Dimensions** — Refer to page 159.

#### Pinout

