

LISTEN.  
THINK.  
SOLVE.®

# Product Data Sheet

Power Distribution Terminal Blocks  
Catalog Number: 1492-PDL3161



## Ratings:

175 Amps  
600 Volts AC/DC  
Panel Mount

## Wire Range:

Line Side: (1) 2/0 - #14 AWG  
Load Side: (6) #4 - #14 AWG

## Agency Approvals:

- UL Recognized, UL 1059 Terminal Block Standard – File #XCFR2.E40735
- UL 508A Feeder Circuit Terminal Spacing for up to 600VAC.
- CSA Certified, CSA C22.2 No. 158
- 600VAC Rating for Class 6228 01 – Use Groups A, B, C
- CE Compliant to IEC 60947-7-1
- RoHS Compliant

## Electrical Ratings:

- 175 Amp Copper Wire (Based on NEC Table 310-16, 75°C Column)
- 600 Volts AC/DC (UL 1059 Class C, User Group – General Industrial)
- Factory and Field Wiring

## Mechanical Ratings:

### Mounting Information:

- Panel Mount: #10 Fastener,
  - Torque to 25-30 in-lbs
- Terminal Keys Needed:
  - Line Side: 5/16", Load Side: 1/8"

### Thermal Information\*:

- Storage Temperature range:
  - -35°C to 125°C (-31°F to 257°F)

- Max. Insulator base temperature: 125°C (257°F) UL RTI
- Max. Insulator base plate temperature: 130°C (266°F) UL RTI
- Flammability rating of insulator base and base plate: UL 94 V-0

\* Use outside these ratings needs to be judged in the end-use application.

## Materials:

- Connector: High Conductive Aluminum, Tin-Plated
- Insulator Base: Glass Filled Polycarbonate (Thermoplastic)
- Terminal Set Screws: Aluminum, Tin-Plated and Steel, Nickel-Plated
- Connector Mounting Screw: Steel, Zinc-Plated
- Insulator Base Plate: Phenolic Laminate

## Accessories:

- Protective Hinged Plastic Cover (Supplied with Product)
- Marking Strip: White vinyl strip to mark circuits (Supplied with Product)



# Product Data Sheet

Power Distribution Terminal Blocks  
 Catalog Number: 1492-PDL3161

**Short Circuit Current Ratings (Copper Wire Only):** Default Rating 10kA if not listed in Table:

Wire Range (kcmil/AWG)		Max Fuse Protection Requirements Amp Rating / Class						SCCR RMS Amps (600V Max)
Line	Load	J	T	RK1	RK5	G	CC	
2/0 – 6	4 – 14	200	200	200	100	60	30	100,000

Wire Range (AWG)		Circuit Breaker Overcurrent Protection Requirements			SCCR RMS Amps (480V Max)
Line	Load	Mfr	Cat #	Max Amp	
2/0 – 6	4 – 12	Allen Bradley	140U-H6	125	50,000
			140U-H0	125	50,000
2/0 – 4	4 – 8		140U-J6	125	35,000
			140U-J0	125	35,000

**Wire Approvals:**

**Line Side Wire Approvals:**

- Wire Strip Length, Line Side Tap – 11/16”



Wire Size (kcmil/AWG)	Torque (In-lbs)	UL Copper Wire Stranding Classes - Number of Strands		
		Solid	Class B	Class C
2/0	120		19	37
1/0	120		19	37
1	120		19	37
2	120		7	19
4	120		7	19
6	120		7	19
8	40		7	19
10	35	1	7	19
12	35	1	7	19
14	35	1	7	19

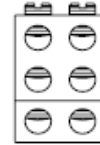


# Product Data Sheet

Power Distribution Terminal Blocks  
Catalog Number: 1492-PDL3161

### Load Side Wire Approvals:

- Wire Strip Length, Load Side Tap – Top Row: 3/8", Bottom Row: 13/16"



Wire Size (kcmil/AWG)	Torque (In-lbs)	UL Copper Wire Stranding Classes - Number of Strands		
		Solid	Class B	Class C
4	35		7	19
6	35		7	19
8	35		7	19
10	35	1	(1-2)* 7	(1-2)* 19
12	35	1	(1-4)* 7	(1-4)* 19
14	35	1	(1-4)* 7	(1-4)* 19

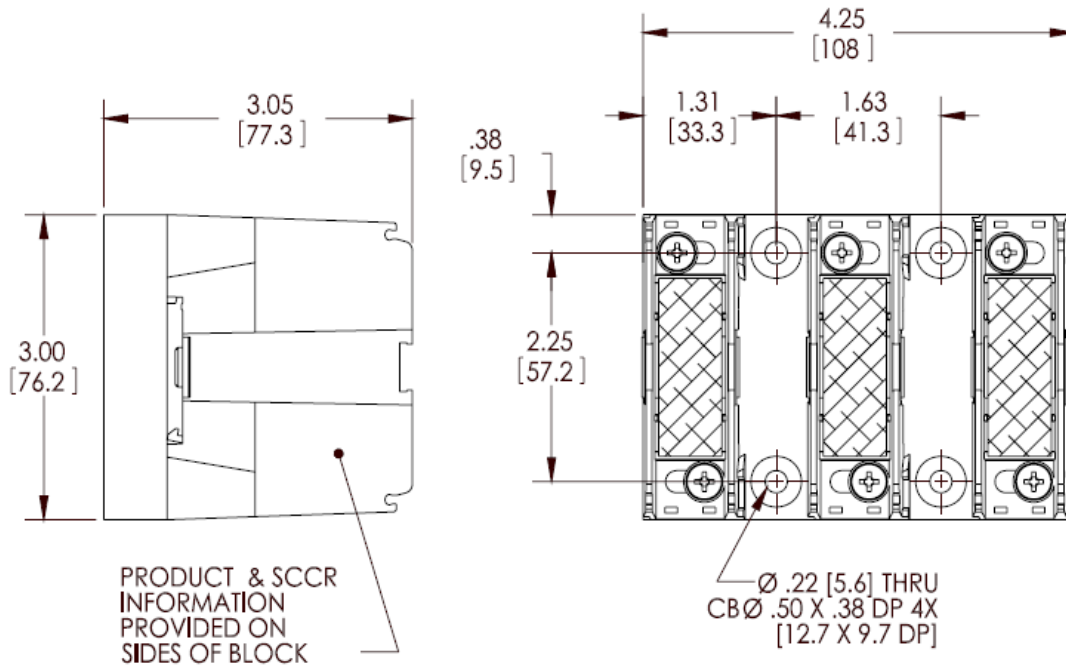
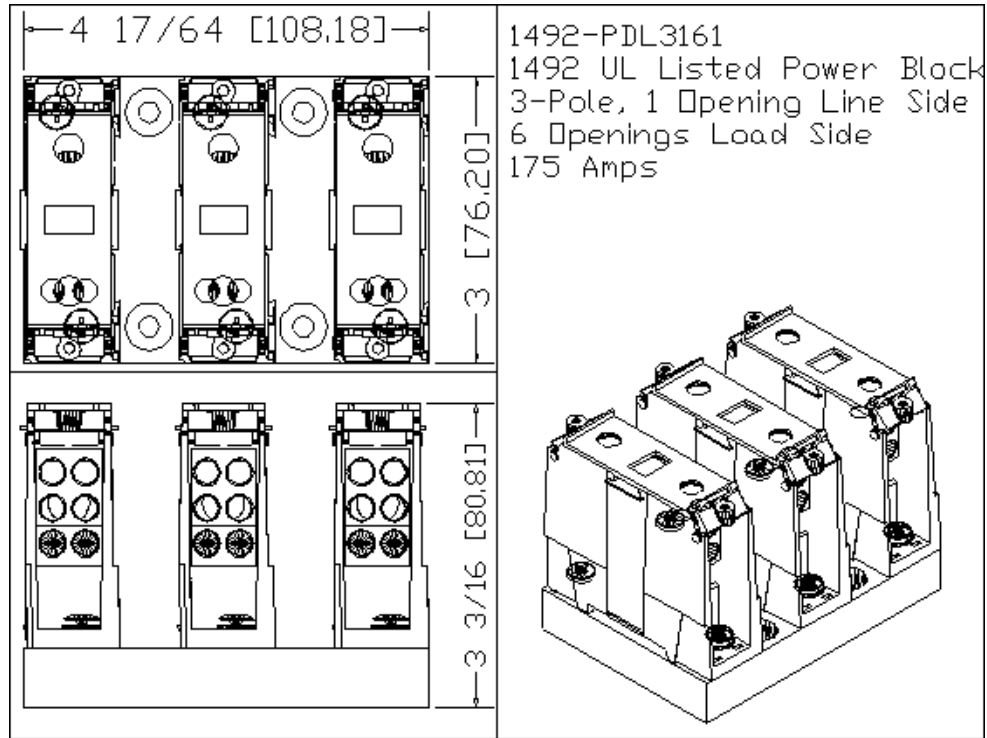
*\*When using multiple wire connections, SCCR rating is reduced to default rating of 10kA*

**LISTEN.  
THINK.  
SOLVE.®**

# Product Data Sheet

Power Distribution Terminal Blocks  
Catalog Number: 1492-PDL3161

## Product Dimensions / Drawings:





# Product Data Sheet

Power Distribution Terminal Blocks  
Catalog Number: 1492-PDL3161