

LISTEN.  
THINK.  
SOLVE.®

# Product Data Sheet

Power Distribution Terminal Blocks  
Catalog Number: 1492-PD3287



## Ratings:

760 Amps  
600 Volts AC/DC  
Panel Mount

## Wire Range:

Line Side: (2) 500kcmil - #6 AWG  
Load Side: (8) 2/0 - #14 AWG

## Agency Approvals:

- UL Recognized, UL 1059 Terminal Block Standard – File #XCFR2.E40735
- CSA Certified, CSA C22.2 No. 158 (Wire Class B & C only)
- CE Compliant to IEC 60947-7-1
- RoHS Compliant

## Electrical Ratings:

- 760 Amp Copper Wire (Based on NEC Table 310-16, 75°C Column)
- 600 Volts AC/DC (UL 1059 Class C, User Group – General Industrial)
- Factory and Field Wiring

## Mechanical Ratings:

### Mounting Information:

- Panel Mount: 1/4" (M6) Fastener,
  - Torque to 30-40 in-lbs
- Terminal Keys Needed:
  - Line Side: 3/8", Load Side: 5/16"

### Thermal Information\*:

- Storage Temperature range:
  - -35°C to 125°C (-31°F to 257°F)

- Max. Insulator base temperature: 150°C (302°F) UL RTI
  - Flammability rating of insulator base and base plate: UL 94 V-0
- \* Use outside these ratings needs to be judged in the end-use application.

## Materials:

- Connector: High Conductive Aluminum, Tin-Plated
- Insulator Base: Phenolic
- Terminal Set Screws: Aluminum, Tin-Plated
- Connector Mounting Screw: Steel, Zinc-Plated

## Accessories:

- Clear Protective Plastic Cover. Catalog Number: 1492-PBC3
- Marking Strip: White vinyl strip to mark circuits (Supplied with block)



# Product Data Sheet

Power Distribution Terminal Blocks  
 Catalog Number: 1492-PD3287

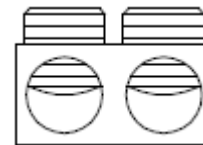
**Short Circuit Current Ratings (Copper Wire Only):** Default Rating 10kA if not listed in Table:

Wire Range (kcmil/AWG)		Max Fuse Protection Requirements Amp Rating / Class						SCCR RMS Amps (600V Max)
Line	Load	J	T	RK1	RK5	G	CC	
500 - 250	2/0 - 4	600	600	400	200	60	30	100,000
4/0 - 4	2/0 - 10	400	400	400	200	60	30	100,000
4/0 - 4	2/0 - 10	600	600					50,000

**Wire Approvals:**

**Line Side Wire Approvals:**

- Wire Strip Length, Line Side Tap – 1-5/16”



Wire Size (kcmil/AWG)	Torque (In-lbs)	UL Copper Wire Stranding Classes - Number of Strands						
		Solid	Class B	Class C	Class G	Class H	Class I	Class K
500	375		37	61				
400	375		37	61	259*	427*	980*	
350	375		37	61	259*	427*	882*	3458*
300	375		37	61	259*	427*	735*	2989*
250	375		37	61	259*	427*	637*	2499*
4/0	375		19	37	133*	259*	532*	2107*
3/0	375		19	37	133*	259*	418*	1666*
2/0	375		19	37	133*	259*	342*	1323*
1/0	375		19	37	133*	259*	266*	1064*
1	375		19	37	133*	259*	210*	836*
2	375		7	19	49*	133*	161*	665*
4	375		7	19				
6	375		7	19				

\* Quantity of wire stands for classes G, H, I, K may vary by manufacturer

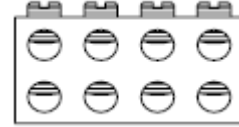


# Product Data Sheet

Power Distribution Terminal Blocks  
 Catalog Number: 1492-PD3287

**Load Side Wire Approvals:**

- Wire Strip Length, Load Side Tap: Top Holes: 3/4", Bottom Holes: 5/16"



Wire Size (kcmil/AWG)	Torque (In-lbs)	UL Copper Wire Stranding Classes - Number of Strands						
		Solid	Class B	Class C	Class G	Class H	Class I	Class K
2/0	120		19	37				
1/0	120		19	37				
1	120		19	37	133*	259*	210*	836*
2	120		7	19	49*	133*	161*	665*
4	120		7	19	49*	133*	105*	420*
6	120		7	19	49*	133*	63*	266*
8	40		7	19	49*	133*	41*	168*
10	35	1	7	19			27*	104*
12	35	1	7	19			19*	65*
14	35	1	7	19			19*	41*

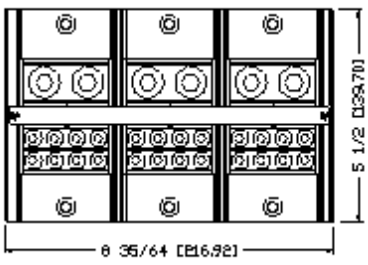
\* Quantity of wire stands for classes G, H, I, K may vary by manufacturer

LISTEN.  
THINK.  
SOLVE.®

# Product Data Sheet

Power Distribution Terminal Blocks  
Catalog Number: 1492-PD3287

## Product Dimensions / Drawings:

	<p>1492-PD3287 POWER BLOCK, POWER DISTRIBUTION BLOCK, 3-POLE, 2 LINE-8 LOAD, 760 AMPS</p> 