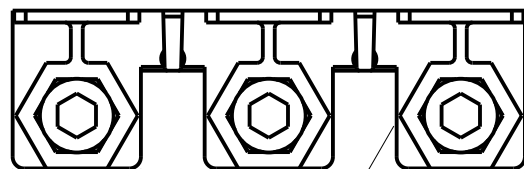


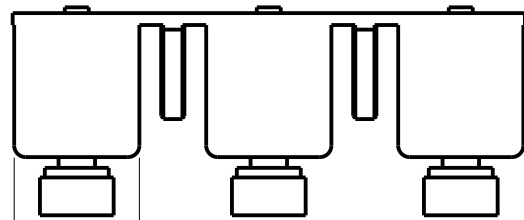
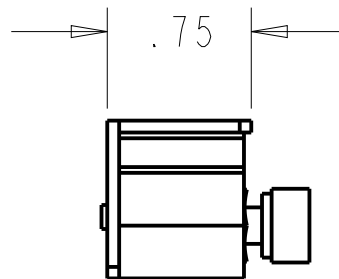
2.67



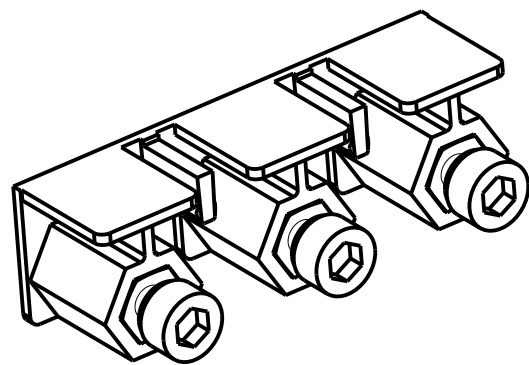
.82

.67

.55



.65



140U-H-ECM
RA
JAN-13-12