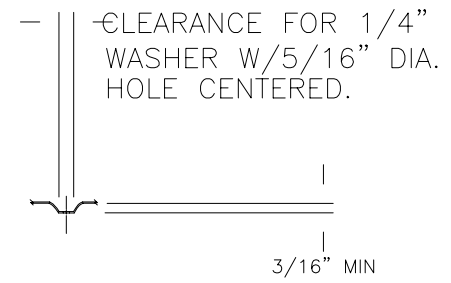
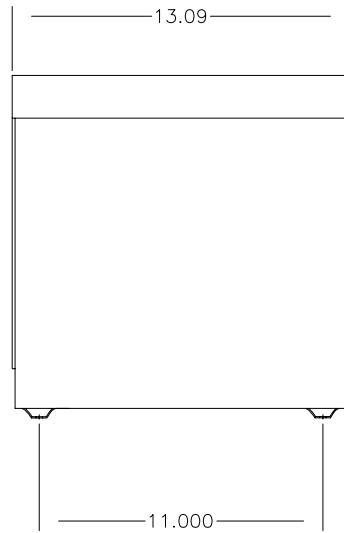
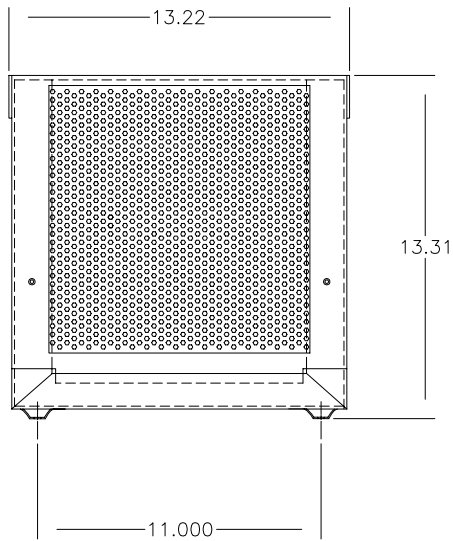


FILE: J:_CUSTDWG\CABINET\CAB-13

NO.	CHANGE DESCRIPTION	BY	DATE	C'K'D
-----	--------------------	----	------	-------



UNLESS OTHERWISE SPECIFIED, DIMENSIONS ARE IN INCHES [mm] AND TOLERANCES ARE:

DECI. FRAC.
 ANGLES DRILLED HOLES

PART NAME:	ENCLOSURE
DESCRIPTION:	GRAY PO;YESTER POWDER PAINT (ANSI 61)
FINISH:	

			REV. 0
SCALE	NTS		C'K'D
REF.			APP'D