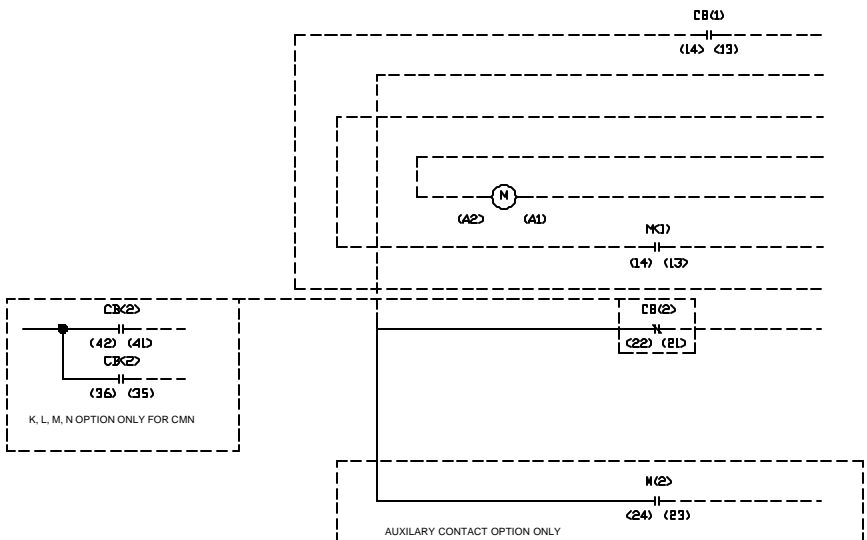
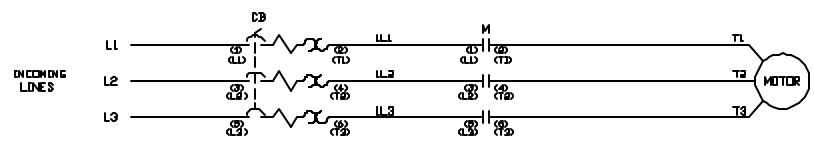
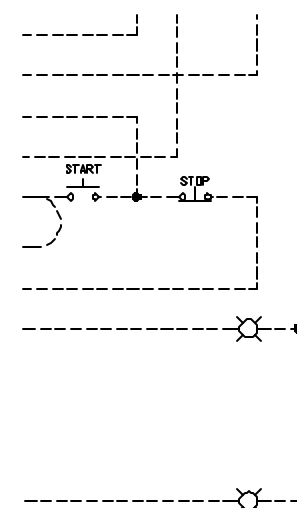


BUL 103 & BUL 107 AUX CONTACTS FOR 140-CMN CIRCUIT BREAKERS					
Last Characters in Cat. No. (103S-KTD2-GC400)				Terminal Markings	
1 st CHAR	2 nd CHAR	Aux Contacts	Trip Contacts	CB (1)	CB (2)
X		--	--	--	--
C		1 NO + 1 NC	--	13 - 14	21 - 22
D		2 NO	--	13 - 14	23 - 24
C,D	K	1 NO	1 NC (SC) + 1 NC (OL)	13 - 14	41 - 42 + 35 - 36
C,D	L	1 NO	1 NO (SC) + 1 NO (OL)	13 - 14	43 - 44 + 37 - 38
C,D	M	1 NO	1 NO (SC) + 1 NC (OL)	13 - 14	43 - 44 + 37 - 38
C,D	N	1 NO	1 NO (SC) + 1 NO (OL)	13 - 14	41 - 42 + 35 - 36
E	K	1 NC	1 NC (SC) + 1 NC (OL)	13 - 14	35 - 36 + 41 - 42
E	L	1 NC	1 NO (SC) + 1 NO (OL)	13 - 14	37 - 38 + 43 - 44
E	M	1 NC	1 NC (SC) + 1 NO (OL)	13 - 14	35 - 36 + 41 - 42
E	N	1 NC	1 NO (SC) + 1 NC (OL)	13 - 14	37 - 38 + 43 - 44

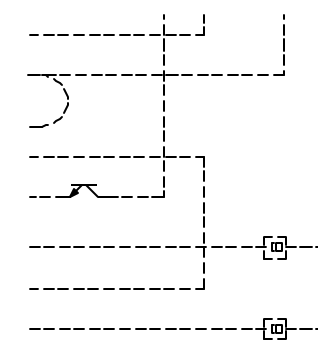
BUL 103 & BUL 107 AUX CONTACTS FOR 140M CIRCUIT BREAKERS					
Last Characters in Cat. No. (103S-ATD2-DB400)				Terminal Markings	
1 st CHAR	2 nd CHAR	Aux Contacts	Trip Contacts	CB (1)	CB (2)
X		--	--	--	--
A	K,L,M,N	1 NC	--	11 - 12	--
B	K,L,M,N,Q	1 NO	--	13 - 14	--
C	K,L,M,N,Q	1 NO + 1 NC	--	13 - 14	21 - 22
D	K,L,M,N,Q	2 NO	--	13 - 14	23 - 24
E	K,L,M,N,Q	2 NC	--	11 - 12	21 - 22
R	K,L,M,N,Q	1 NC	1 NO (SC + OL)	11 - 12	27 - 28
S	K,L,M,N,Q	1 NO	1 NO (SC + OL)	13 - 14	27 - 28



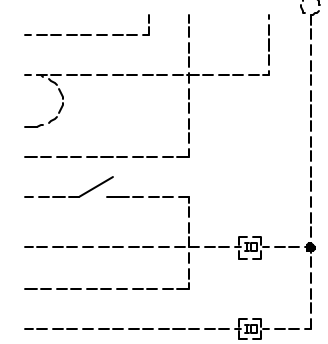
PUSH BUTTON



SOURCE



DSA DEVICE NET MDSA



NOTE: FIELD WIRING IS NOT VALID WITH CIRCUIT BREAKER AUXILIARY CONTACT CODES A, E OR R

BUL 103 AUX CONTACTS FOR 100C CONTACTORS					
Last Character(s) in Cat. No. i.e. (103S-ATA-C-A16C)	Description	100-C09 ... C23		100-C30 ... C85	
		M(1)*	M(2)	M(1)	M(2)
2	1NO	13 - 14	--	13 - 14	--
3	1NO + 1NC	13 - 14	21 - 22	13 - 14	21 - 22
4	2NO	13 - 14	..3-..4	13 - 14	23 - 24

\* 4th Pole of Contactor

REMOTE WIRING -----  
FACTORY WIRING -----

REF: 103S-100, 103S-400

Revision	Release	ACAD
1		
2		
3		
4		
5		
6		
7		
8		
9		
10		
11		
12		
13		
14		
15		
16		
17		
18		
19		
20		
21		
22		
23		
24		
25		
26		
27		
28		
29		
30		
31		
32		
33		
34		
35		
36		
37		
38		
39		
40		
41		
42		
43		
44		
45		
46		
47		
48		
49		
50		
51		
52		
53		
54		
55		
56		
57		
58		
59		
60		
61		
62		
63		
64		
65		
66		
67		
68		
69		
70		
71		
72		
73		
74		
75		
76		
77		
78		
79		
80		
81		
82		
83		
84		
85		
86		
87		
88		
89		
90		
91		
92		
93		
94		
95		
96		
97		
98		
99		
100		

41053-199