

- NOTES:
1. ALL DIMENSIONS ARE IN MILLIMETERS.
 2. TOLERANCES APPLY ONLY WHEN SPECIFIED.
 3. REF DRAWING 10000270340 FOR SPECIFIC NAMEPLATE INFORMATION.
 4. ALL MATERIALS UNLESS SPECIFIED OTHERWISE ARE ANODIZED ALUMINUM. WIPERS ARE DELRIN, MAGNET COVERS, THE LINEAR BEARING SYSTEM AND MOST HARDWARE ARE STAINLESS STEEL. SOME SCREWS ARE ZINC PLATED STEEL.
 5. FLATNESS REQUIREMENT FOR THE SURFACE THAT THIS STAGE IS TO BE MOUNTED TO: 0.13 [0.005] / 305 X 305 [12 X 12]
 6. UP TO APPROX. 5.0 mm OVERTRAVEL EACH END. AN ADDITIONAL 12.7mm OVERTRAVEL EACH END WHEN STOP FULLY COMPRESSED IN A CRASH CONDITION.

DIMENSIONS APPLY BEFORE SURFACE TREATMENT		Rockwell Automation	CONFIDENTIAL AND PROPRIETARY INFORMATION. THIS DOCUMENT CONTAINS CONFIDENTIAL AND PROPRIETARY INFORMATION OF ROCKWELL AUTOMATION, INC. AND MAY NOT BE USED, COPIED OR DISCLOSED TO OTHERS, EXCEPT WITH THE AUTHORIZED WRITTEN PERMISSION OF ROCKWELL AUTOMATION, INC.		
DIMENSIONS IN MILLIMETERS UNLESS OTHERWISE SPECIFIED			10000370344.drw	Sheet 1 Of 4	
.X:±	±.25		LDAT-SERIES INTEGRATED LINEAR THRUSTER 30 FRAME		10000270344
.XX:±	±.12				
ANG:±	±1°	Drawn by: LN	Date: 03-02-12		

1

2

3

4

5

6

7

8

A

B

C

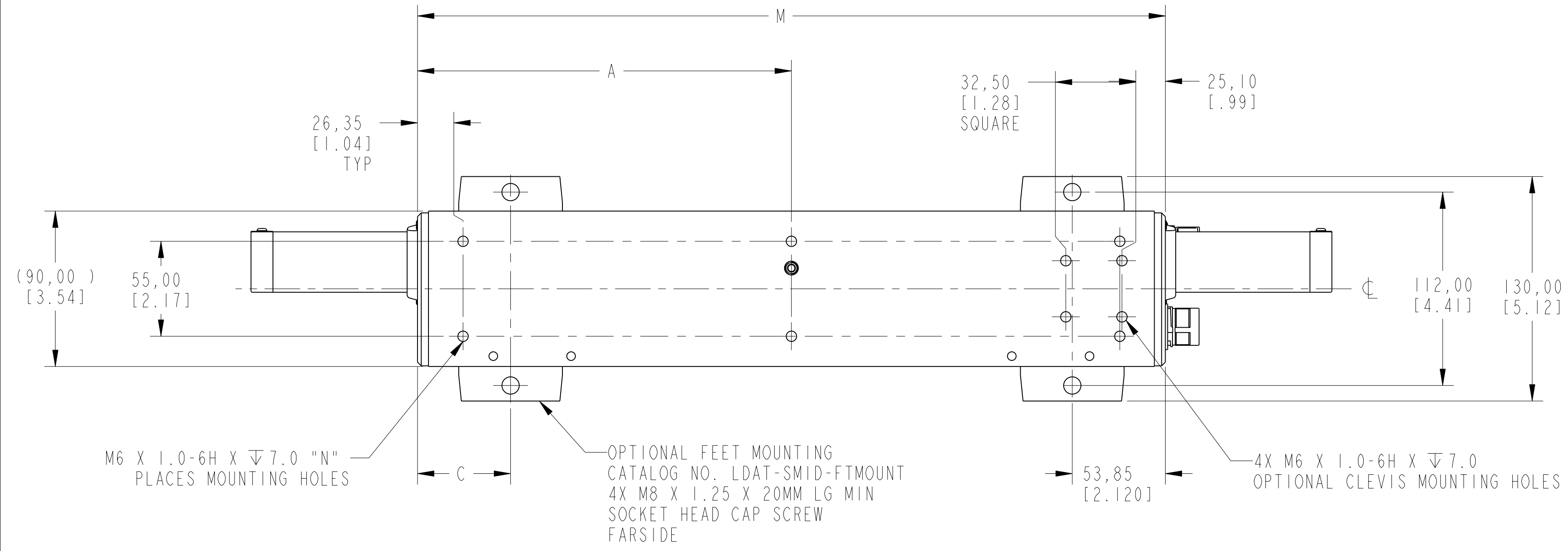
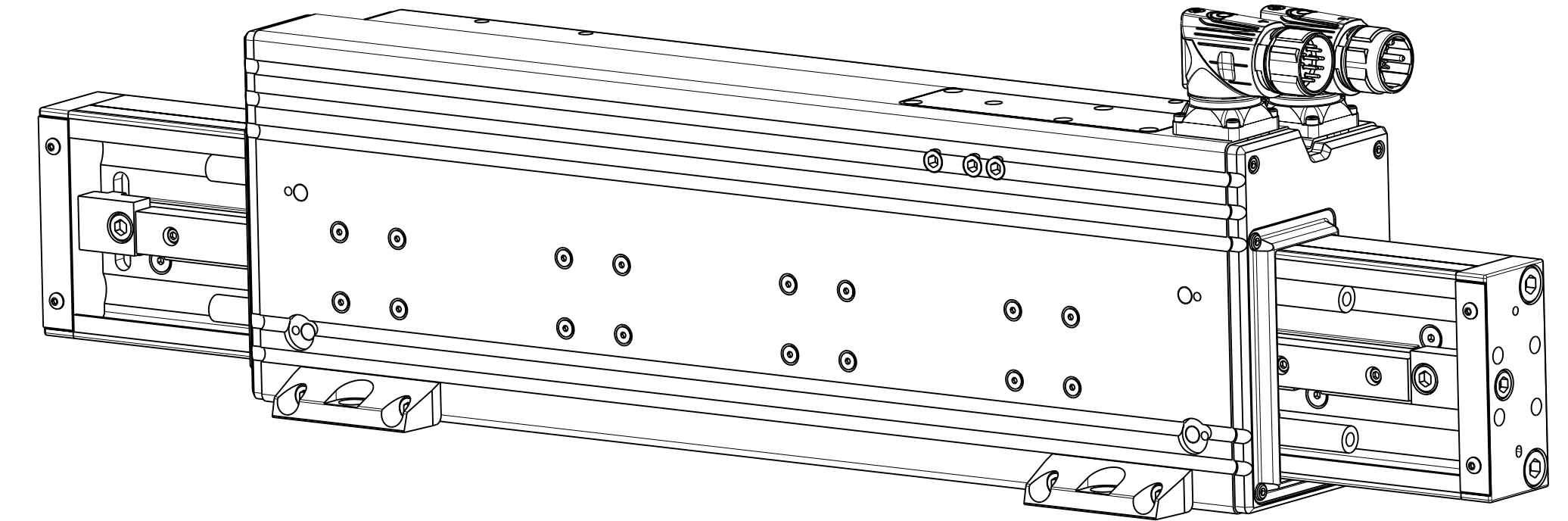
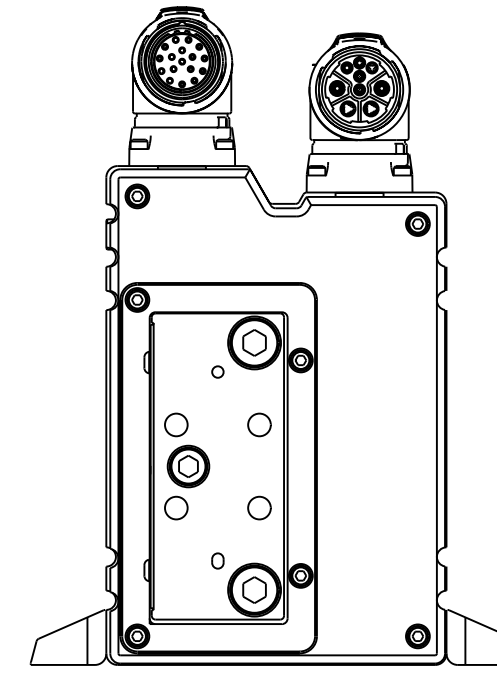
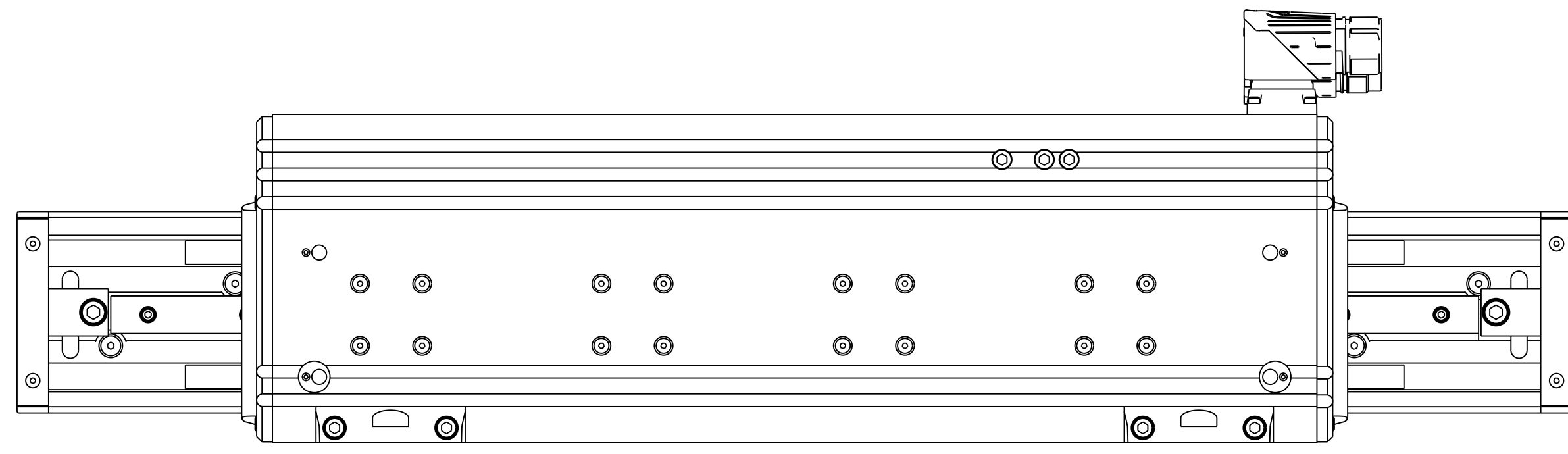
D

E

F

G

H



		<small>CONFIDENTIAL AND PROPRIETARY INFORMATION THIS DOCUMENT CONTAINS CONFIDENTIAL AND PROPRIETARY INFORMATION OF ROCKWELL AUTOMATION, INC. AND MAY NOT BE USED, COPIED OR DISCLOSED TO OTHERS, EXCEPT WITH THE AUTHORIZED WRITTEN PERMISSION OF ROCKWELL AUTOMATION, INC.</small>	
		Sheet 2 Of 4	
esm-ldat-30.drw LDAT-SERIES INTEGRATED LINEAR THRUSTER 30 FRAME		Size D	Ver 00
Drawn by: LN	Date: 05-02-12	10000270344	

1

2

3

4

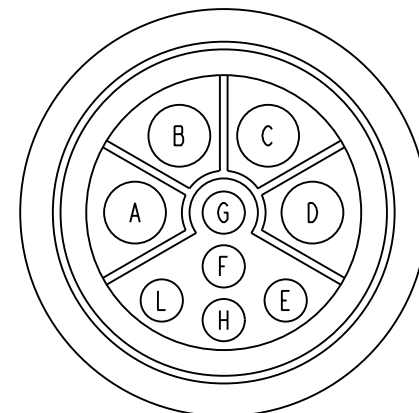
5

6

7

8

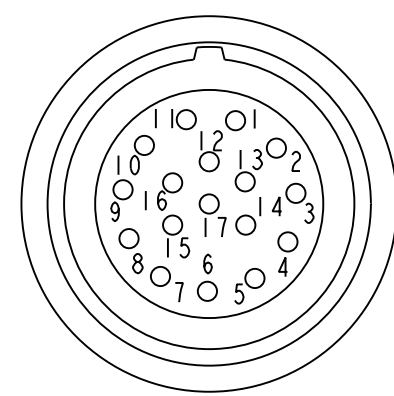
POWER CONNECTOR
INTERCONTEC
BEDC 091 NN00 00 0202 000



PIN-OUT POWER CONNECTOR	
PIN	FUNCTION
A	U
B	V
C	W
D	GROUND
E	-
F	-
G	-
H	-
L	-

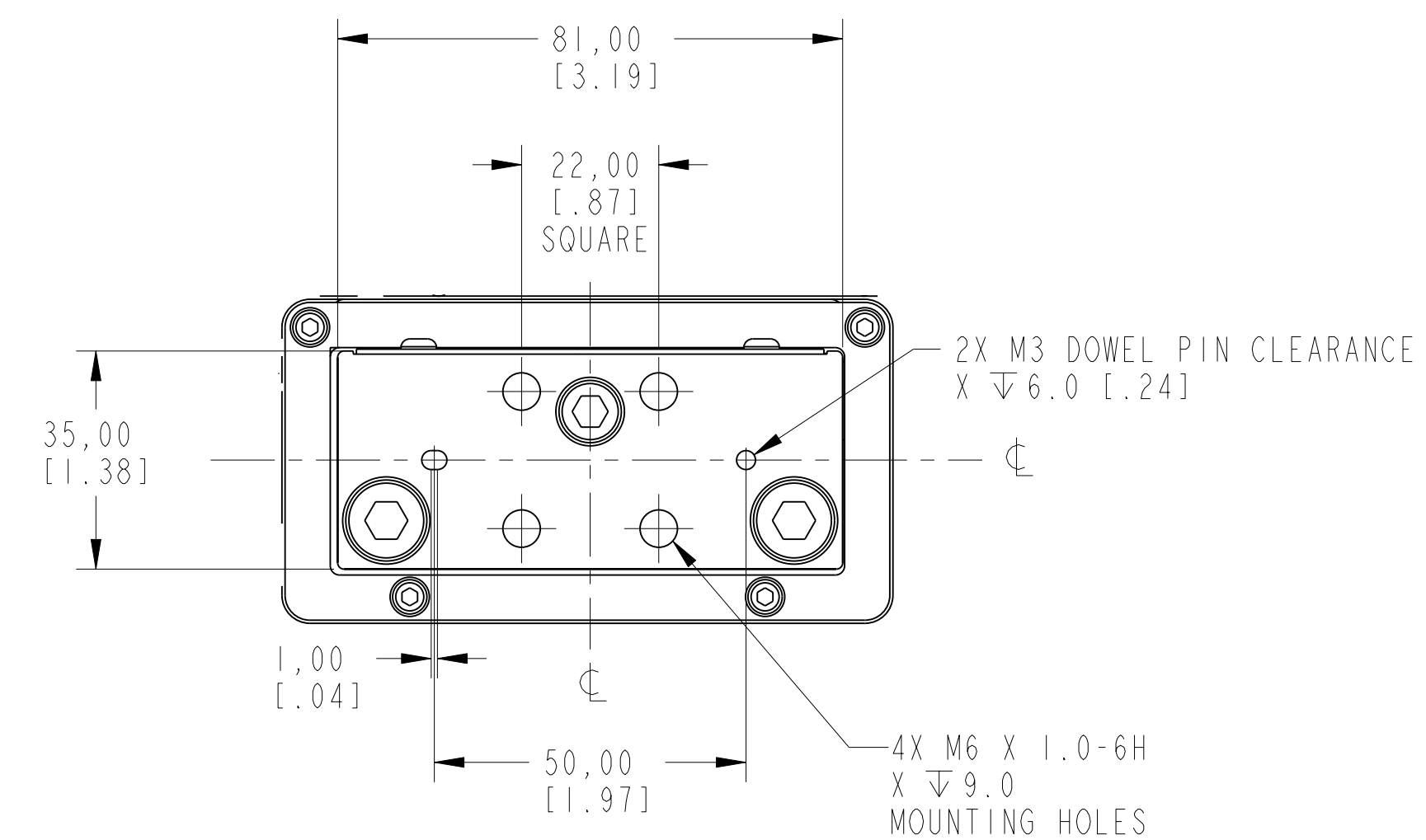
TABLE 1

FEEDBACK CONNECTOR
INTERCONTEC
AEDC 113 NN00 00 0202 000



PIN - OUT ENCODER CONNECTOR		
PIN	FUNCTION	
	ABSOLUTE	INCREMENTAL
1	SIN +	A+
2	SIN -	A-
3	COS +	B+
4	COS -	B-
5	DATA +	INDEX +
6	DATA -	INDEX -
7	-	-
8	-	-
9	-	+5V
10	RTN	
11	+9V	-
12	-	RTN
13	TS +	
14	TS -	
15	-	S1
16	-	S2
17	-	S3

TABLE 2



DETAIL A
SLIDER END MOUNTING
TYP BOTH ENDS
SCALE 1:1

**Rockwell
Automation**

esm-ldat-30.drw
LDAT-SERIES INTEGRATED LINEAR THRUSTER
30 FRAME

Drawn by: LN

Date: 05-07-12

CONFIDENTIAL AND PROPRIETARY INFORMATION.
THIS DOCUMENT CONTAINS CONFIDENTIAL AND PROPRIETARY
INFORMATION OF ROCKWELL AUTOMATION, INC. AND MAY
NOT BE USED, COPIED OR DISCLOSED TO OTHERS, EXCEPT
WITH THE AUTHORIZED WRITTEN PERMISSION OF ROCKWELL
AUTOMATION, INC.

Sheet 3 Of 4

Size

D

10000270344

Ver

00

MOTOR SIZE: 100

CATALOG NO.	STROKE [mm]	L [mm]	M [mm]	A [mm]	B [mm]	C [mm]	N	WEIGHT [kg]	SHIP WEIGHT [kg]
LDAT-S031010-XXX	100	425.40	232.70	-	51.35	38.85	4	6.90	
LDAT-S031020-XXX	200	525.40						7.51	
LDAT-S031030-XXX	300	625.40						8.12	
LDAT-S031040-XXX	400	725.40						8.72	

MOTOR SIZE: 200

CATALOG NO.	STROKE [mm]	L [mm]	M [mm]	A [mm]	B [mm]	C [mm]	N	WEIGHT [kg]	SHIP WEIGHT [kg]
LDAT-S032010-XXX	100	525.40	332.70	-	66.35	53.85	4	9.73	
LDAT-S032020-XXX	200	625.40						10.34	
LDAT-S032030-XXX	300	725.40						10.95	
LDAT-S032040-XXX	400	825.40						11.55	

MOTOR SIZE: 300

CATALOG NO.	STROKE [mm]	L [mm]	M [mm]	A [mm]	B [mm]	C [mm]	N	WEIGHT [kg]	SHIP WEIGHT [kg]
LDAT-S033010-XXX	100	625.40	432.70	216.35	66.35	53.85	6	12.58	
LDAT-S033020-XXX	200	725.40						13.19	
LDAT-S033030-XXX	300	825.40						13.79	
LDAT-S033040-XXX	400	925.40						14.40	