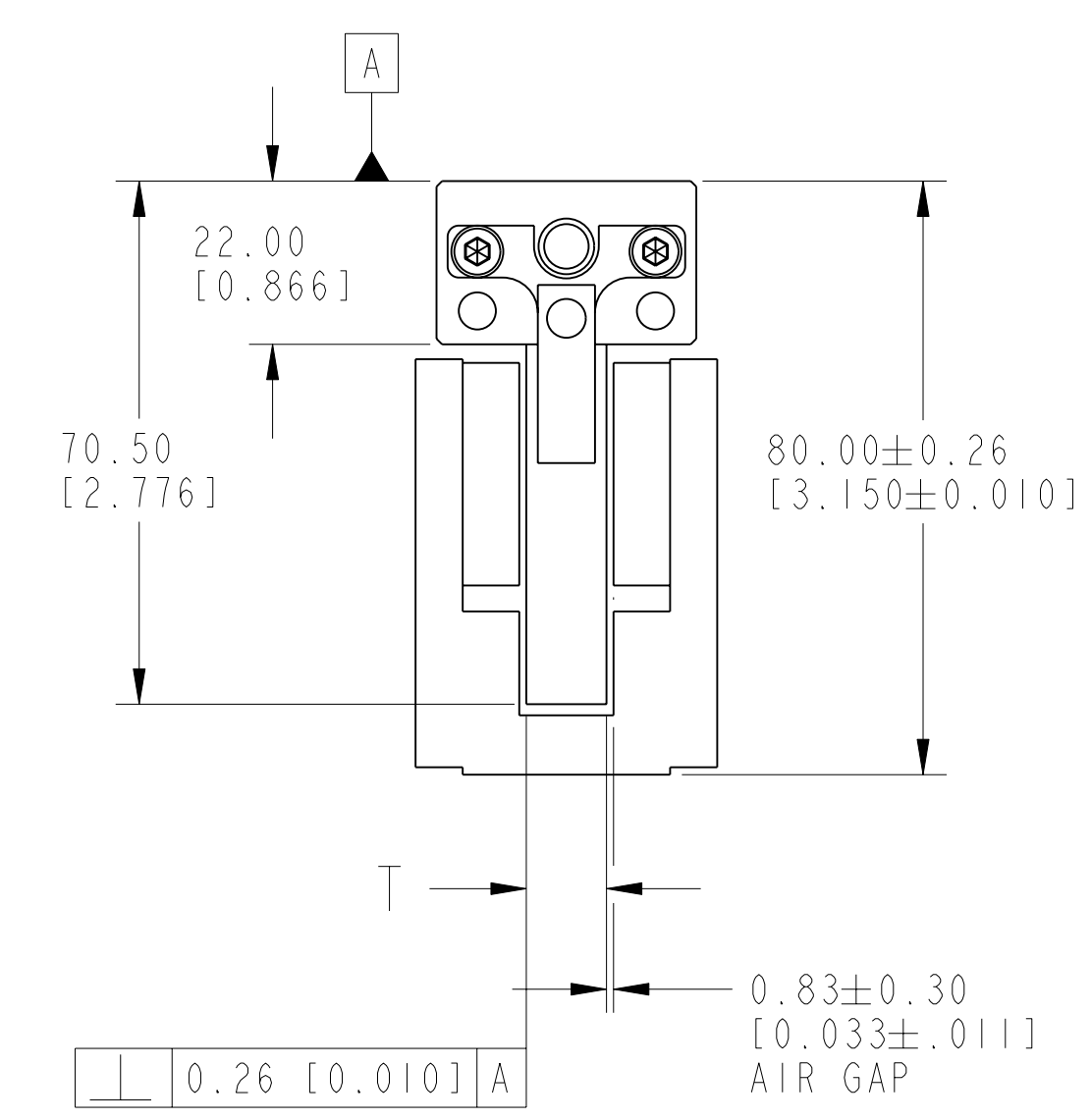
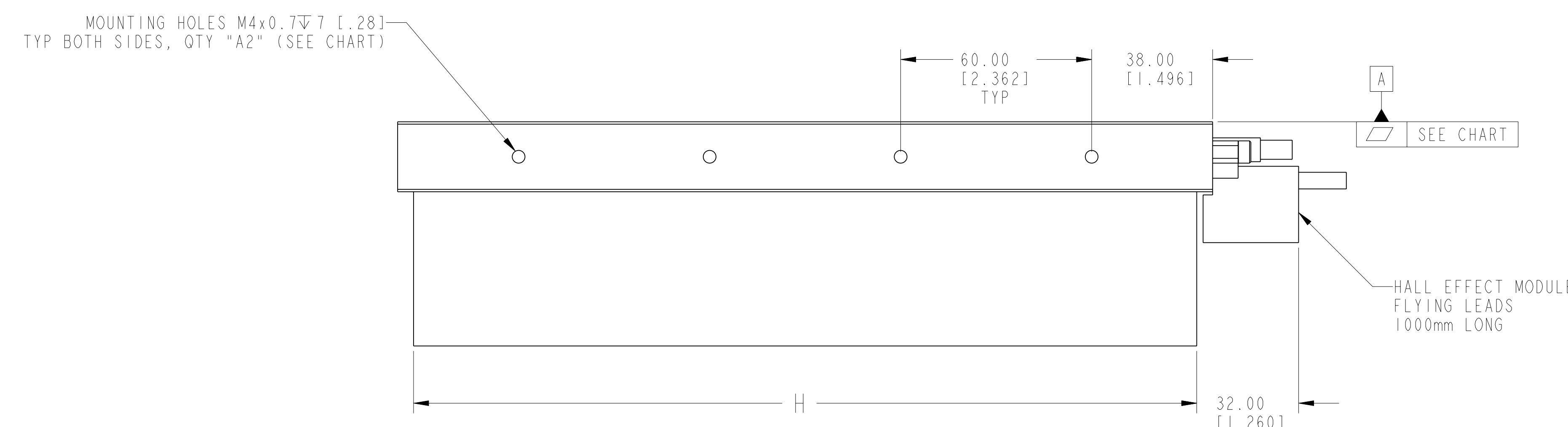
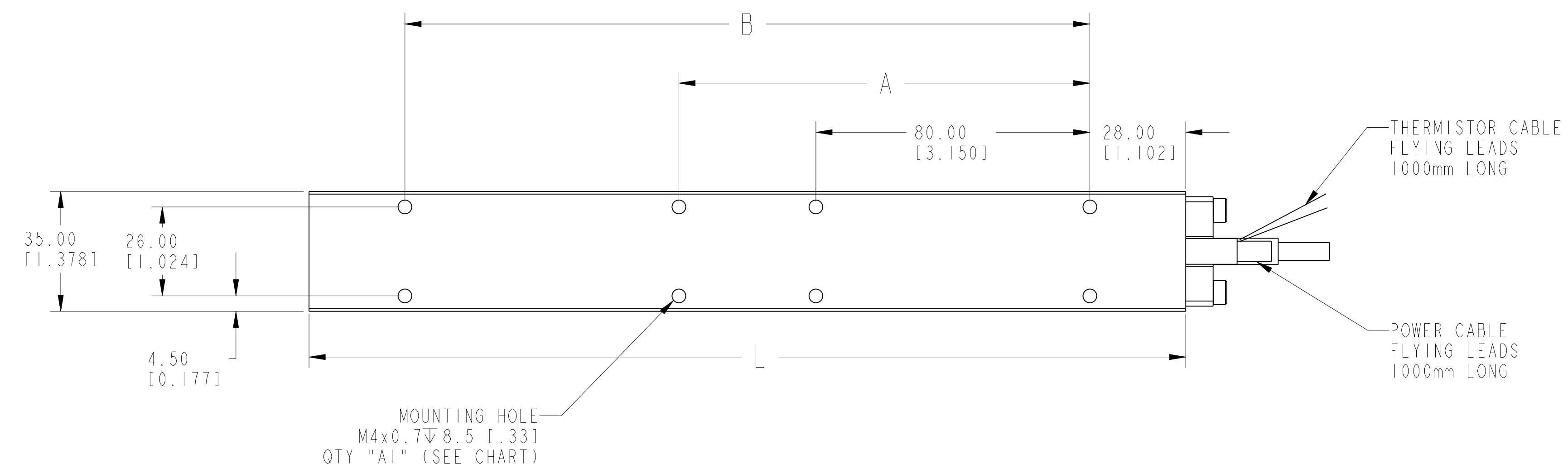


CATALOG NUMBER	MATERIAL MASTER	L	A	B	G	H	T	"A1" QTY	"A2" QTY	FLATNESS -A-	WEIGHT kg / [lbs]	POWER CABLE (SEE BELOW)
LDL-N030120-DHT20	PN-39112	136.0 [5.35]	----	----	60.00 [2.362]	126.00 [4.961]	8.30 [.33]	4	2	0.25 [.010]	0.63 [1.38]	20
LDL-T030120-DHT20	PN-39128						10.80 [.43]				0.74 [1.64]	
LDL-N030240-DHT20	PN-39114	256.0 [10.08]	120.00 [4.724]	200.00 [7.874]	180.00 [7.087]	246.00 [9.685]	8.30 [.33]	8	4	0.25 [.010]	1.14 [2.51]	20
LDL-N030240-EHT20	PN-39127						10.80 [.43]				1.37 [3.02]	
LDL-T030240-DHT20	PN-39129						10.80 [.43]				1.37 [3.02]	
LDL-T030240-EHT20	PN-39130											



CABLE CODING		
MOTOR POWER LEADS	COLOR	FUNCTION
	RED	$\varnothing$ A [U]
	WHT	$\varnothing$ B [V]
	BLK	$\varnothing$ C [W]
	GRN/YEL	GND

THERMISTOR (PTC)		
	BLK	THERM
	BLK	THERM

HALL EFFECT (TRAP)								
	COLOR	FUNCTION	CABLE INFORMATION (ALL CABLES ARE NON-FLEX)					
			CABLE	# COND	GA	SHLD TYPE	DIAMETER	STATIC BEND RADIUS
	RED	V+	POWER	4	20	BRAID	$\varnothing$ 6.4 [.25]	17.0 [.37]
	WHT	S1	THERM	2	26	NONE	$\varnothing$ 4.0 [.16]	10.0 [.40]
	BLU	S2	HALL MOD	6	24	FOIL	$\varnothing$ 5.0 [.20]	15.0 [.59]
	ORN	S3						
	BLK	VRTN						
	GRN	NC						

REFERENCES		LDL-x030xxx-xHT20,ESM MOTOR COIL		CONFIDENTIAL AND PROPRIETARY INFORMATION	
REVISION	DIMENSIONS APPLY BEFORE SURFACE TREATMENT	DR. FS DATE 02-04-09		THIS DOCUMENT CONTAINS CONFIDENTIAL AND PROPRIETARY INFORMATION OF ROCKWELL AUTOMATION, INC. AND MAY NOT BE USED, COPIED OR DISCLOSED TO OTHERS, EXCEPT WITH THE AUTHORIZED WRITTEN PERMISSION OF ROCKWELL AUTOMATION, INC.	
AUTHORIZATION	TOLERANCES UNLESS OTHERWISE SPECIFIED:				
	0 TO 6mm $\pm$ 0.1	DATE 02-04-09		SHEET 1 OF 1	
	>6 TO 30mm $\pm$ 0.2	DATE		DWG. SIZE	
	>30mm $\pm$ 0.3	DATE		D 10000043850	
	ALL RADII $\pm$ 0.2	DATE			
	ANGLES $\pm$ 1°	DATE			