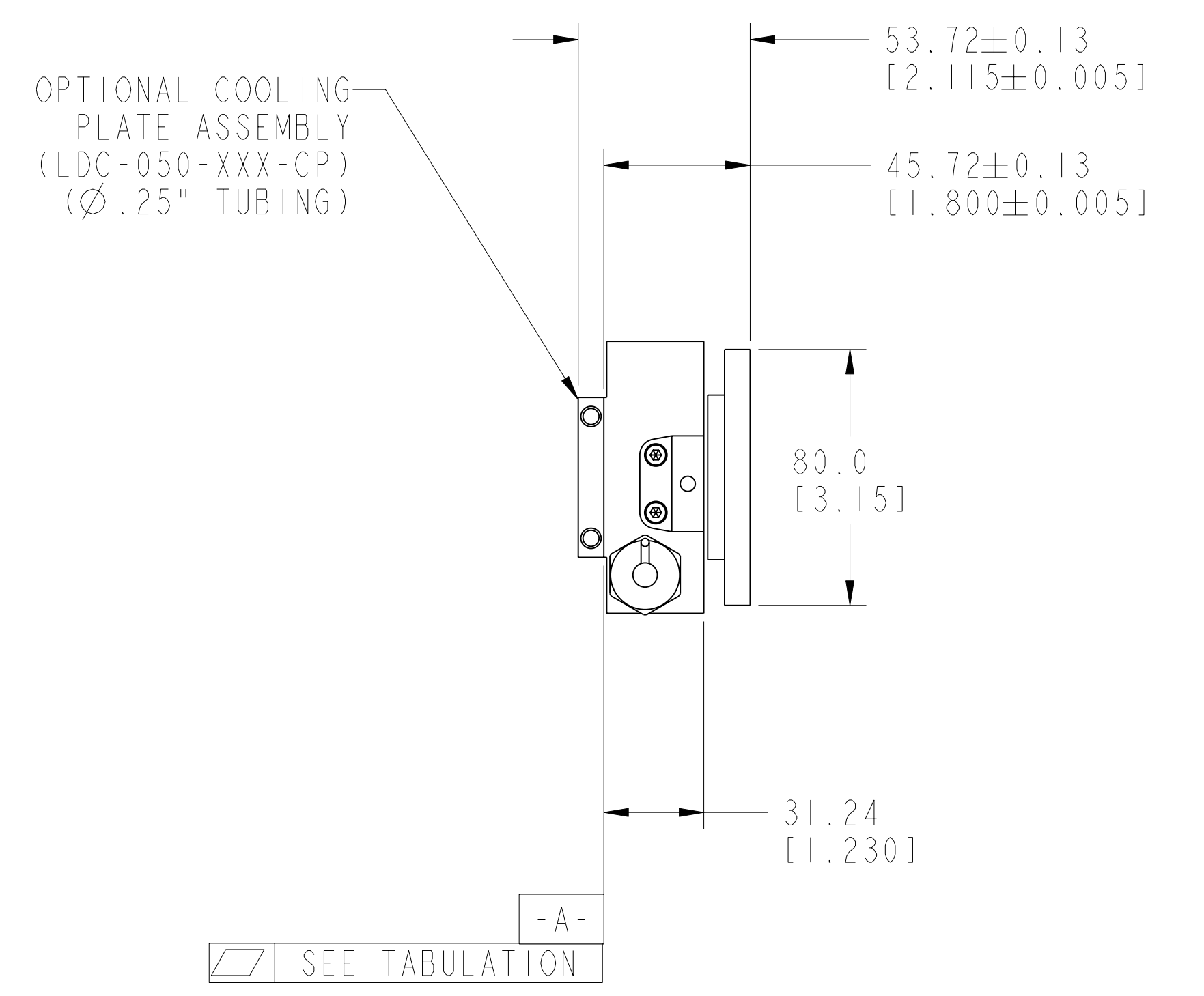
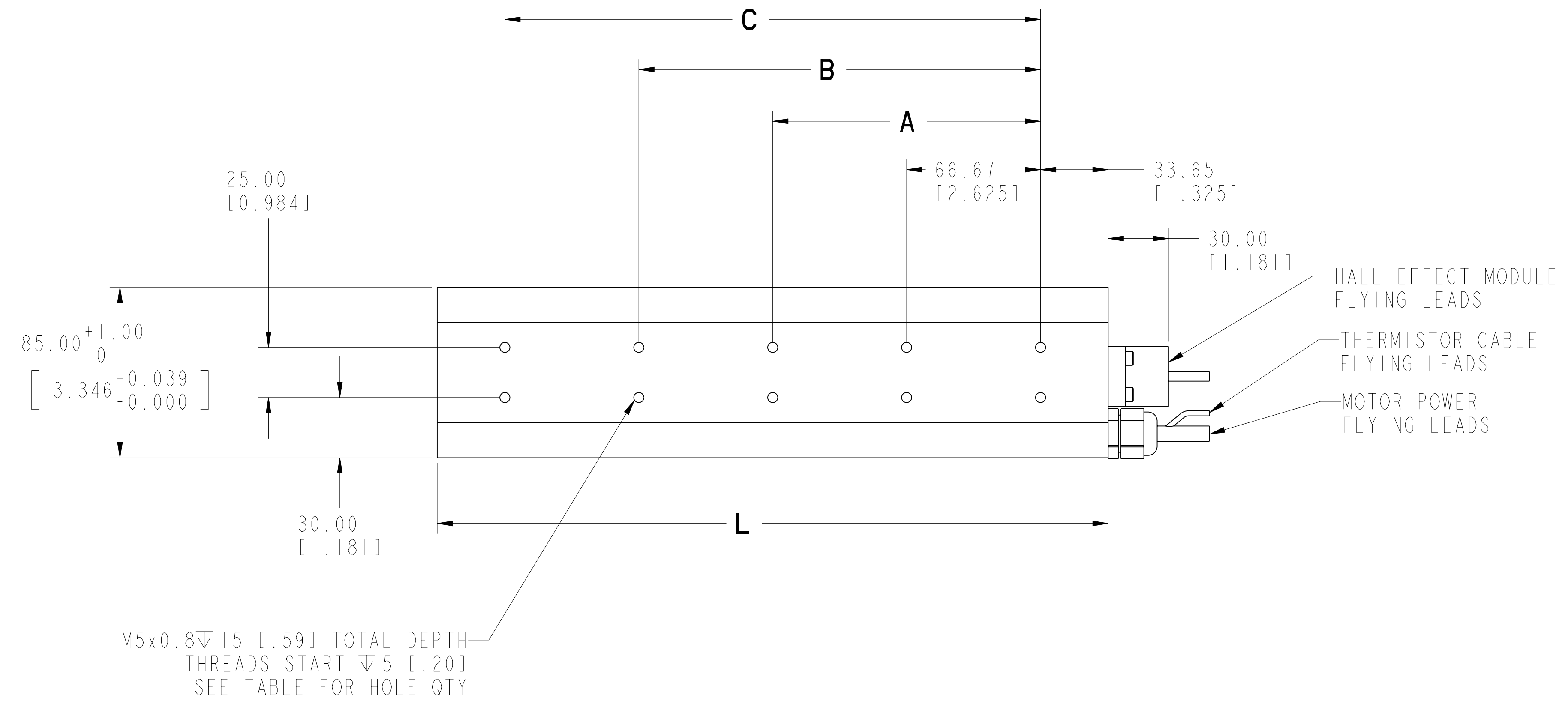


1	2	3	4	5	6	7	8		
CATALOG NUMBER	MATERIAL MASTER	L	A	B	C	HOLE QTY	FLATNESS -A-	WEIGHT kg / (lbs)	POWER CABLE (SEE BELOW)
LDC-C050100-DHT20	PN-40184	134.0 [5.28]	----	----	----	4	0.25 [.010]	2.05 [4.5]	18
LDC-C050200-DHT20 LDC-C050200-EHT20	PN-40186 PN-40188	234.0 [9.21]	100.00 [3.937]	166.67 [6.562]	----	8	0.25 [.010]	3.18 [7.0]	18 18
LDC-C050300-DHT20 LDC-C050300-EHT20	PN-40189 PN-40190	334.0 [13.15]	133.33 [5.249]	200.00 [7.874]	266.67 [10.499]	10	0.38 [.015]	4.55 [10.0]	18 18



CABLE CODING		
	COLOR	FUNCTION
MOTOR POWER LEADS	RED	∅A [U]
	WHT	∅B [V]
	BLK	∅C [W]
	GRN/YEL	GND

THERMISTOR (PTC)	BLK	THERM
	BLK	THERM

HALL EFFECT (TRAP)	RED	V+
	WHT	S1
	BLU	S2
	ORN	S3
	BLK	VRTN
GRN	NC	

CABLE INFORMATION (ALL CABLES ARE NON-FLEX)							
CABLE	# COND	GA	SHLD TYPE	DIAMETER	STATIC BEND RADIUS		
POWER	4	18	BRAID	∅7.0 [.28]	18.0 [.70]		
THERM	2	26	NONE	∅4.0 [.16]	10.0 [.40]		
HALL MOD	6	24	FOIL	∅5.0 [.20]	15.0 [.59]		

PART CHG. NO. (CHAR.)	MATERIAL	SURFACE FINISH	WORKMANSHIP STANDARD
REFERENCES	LDC-C050xxx-xHT20, ESM MOTOR COIL		
REVISION AUTHORIZATION	DIMENSIONS APPLY BEFORE SURFACE TREATMENT DIMENSIONS IN MILLIMETERS TOLERANCES UNLESS OTHERWISE SPECIFIED.	CONFIDENTIAL AND PROPRIETARY INFORMATION THIS DOCUMENT CONTAINS CONFIDENTIAL AND PROPRIETARY INFORMATION OF ROCKWELL AUTOMATION, INC. AND MAY NOT BE USED, COPIED OR DISCLOSED TO OTHERS, EXCEPT WITH THE AUTHORIZED WRITTEN PERMISSION OF ROCKWELL AUTOMATION, INC.	
	0 TO 6mm ±0.1	Rockwell Automation DR. FS DATE 01-30-09 SHEET 1 OF 1 CHKD. DATE DATE DWG. SIZE D 10000043824 APPD. DATE	
	>6 TO 30mm ±0.2		
	>30mm ±0.3		
	ALL RADII ±0.2 ANGLES ±1°		