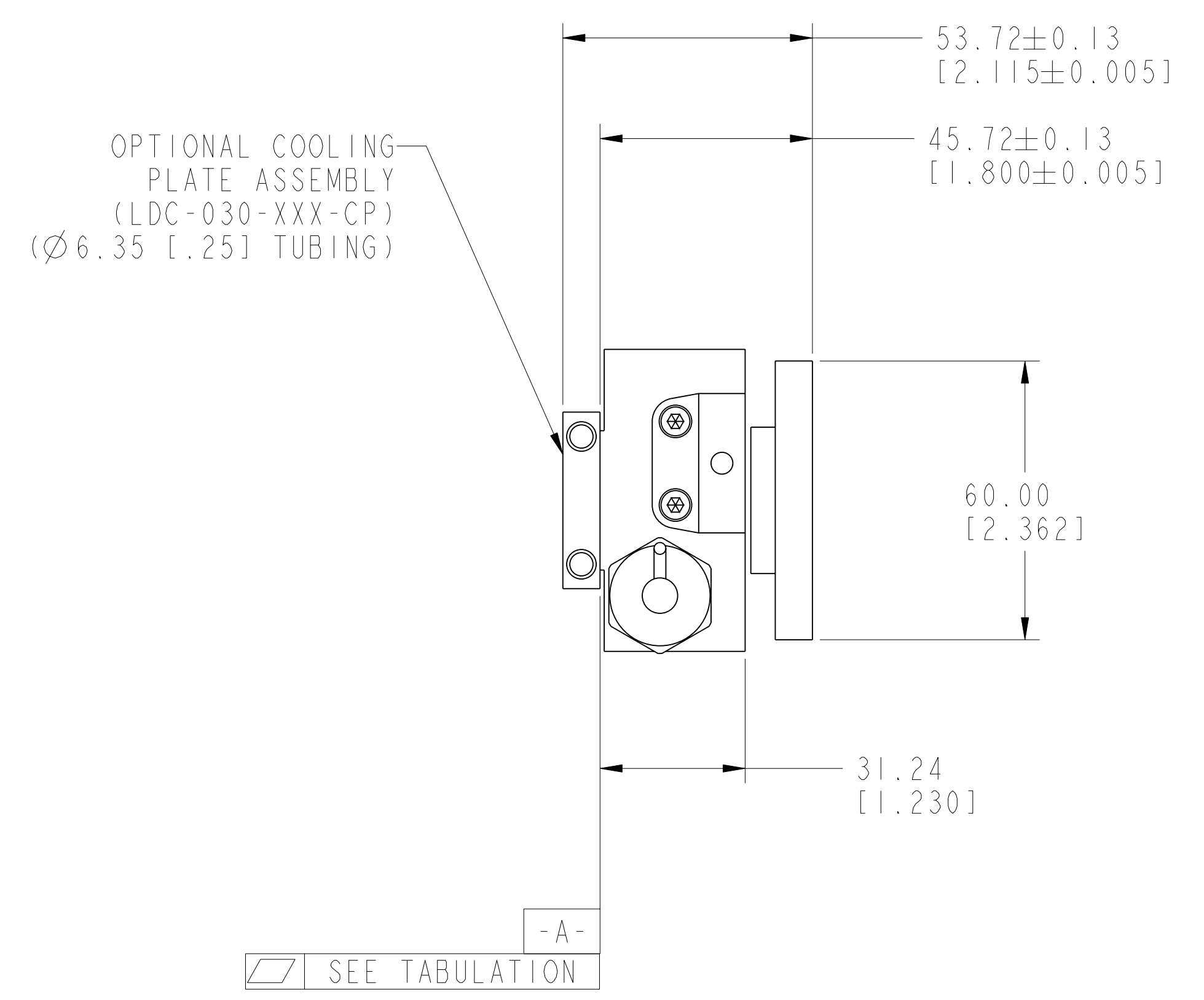
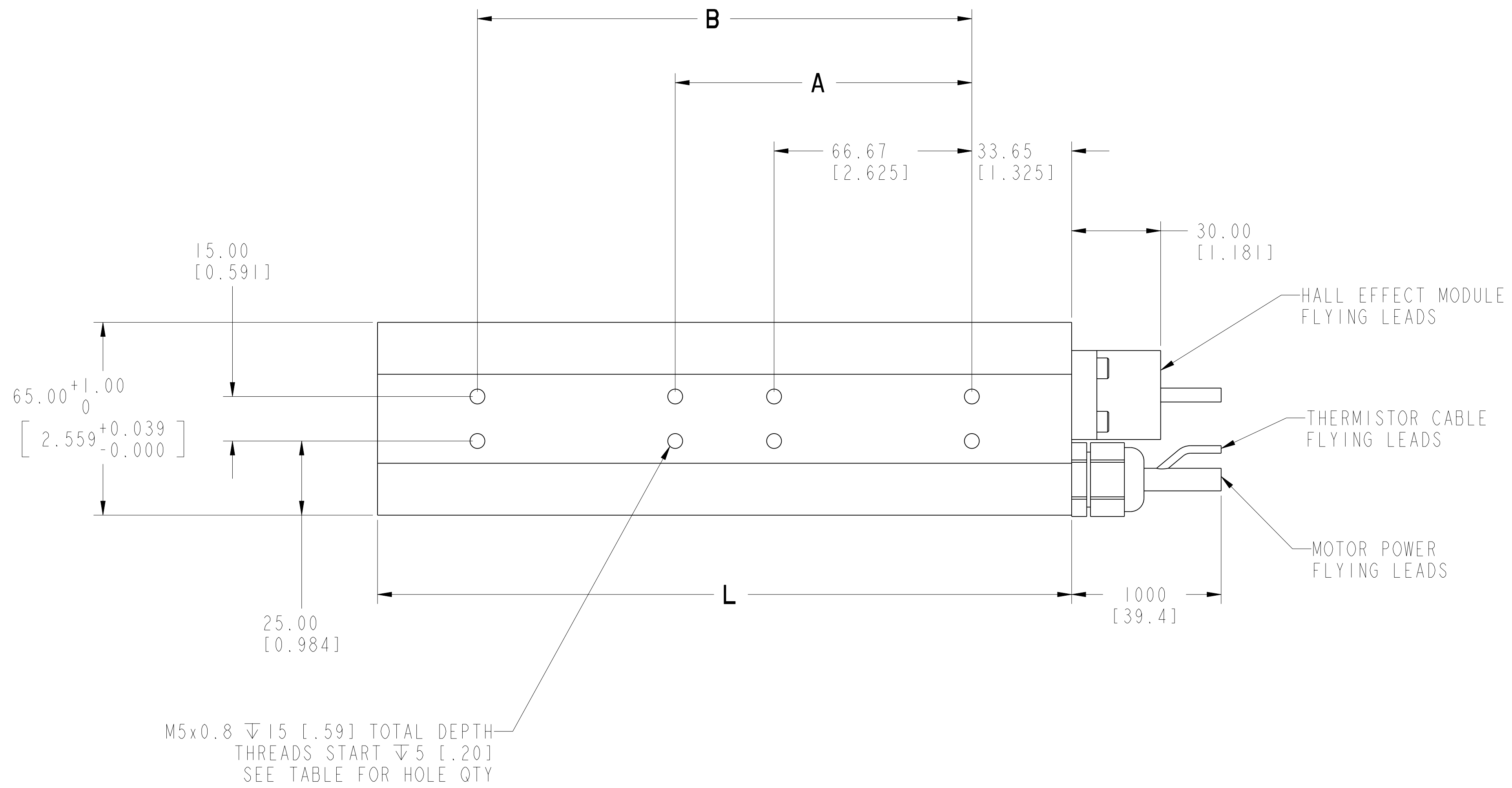


1	2	3	4	5	6	7	8	
CATALOG NUMBER	MATERIAL MASTER	L	A	B	HOLE QTY	FLATNESS -A-	WEIGHT kg / [lbs]	POWER CABLE (SEE BELOW)
LDC-C030100-DHT20	PN-40173	134.0 [5.28]	----	----	4	0.25 [.010]	1.41 [3.1]	18 GA
LDC-C030200-DHT20 LDC-C030200-EHT20	PN-40174 PN-40182	234.0 [9.21]	100.00 [3.937]	166.67 [6.562]	8	0.25 [.010]	2.27 [5.0]	D: 18 GA E: 18 GA



CABLE CODING		
	COLOR	FUNCTION
MOTOR POWER LEADS	RED	\varnothing A [U]
	WHT	\varnothing B [V]
	BLK	\varnothing C [W]
	GRN/YEL	GND

THERMISTOR (PTC)	BLK	THERM
	BLK	THERM

HALL EFFECT (TRAP)	COLOR	FUNCTION	CABLE INFORMATION (ALL CABLES ARE NON-FLEX)					
			CABLE	# COND	GA	SHLD TYPE	DIAMETER	STATIC BEND RADIUS
	RED	V+	POWER	4	18	BRAID	\varnothing 7.0 [.28]	18.0 [.70]
	WHT	S1	THERM	2	26	NONE	\varnothing 4.0 [.16]	10.0 [.40]
	BLU	S2	HALL MOD	6	24	FOIL	\varnothing 5.0 [.20]	15.0 [.59]
	ORN	S3						
	BLK	VRTN						
	GRN	NC						

REVISION AUTHORIZATION	REFERENCES	OUTLINE, LDC-C030XXX MOTOR COIL	CONFIDENTIAL AND PROPRIETARY INFORMATION
	DIMENSIONS APPLY BEFORE SURFACE TREATMENT DIMENSIONS IN MILLIMETERS TOLERANCES UNLESS OTHERWISE SPECIFIED:		THIS DOCUMENT CONTAINS CONFIDENTIAL AND PROPRIETARY INFORMATION OF ROCKWELL AUTOMATION, INC. AND MAY NOT BE USED, COPIED OR DISCLOSED TO OTHERS, EXCEPT WITH THE AUTHORIZED WRITTEN PERMISSION OF ROCKWELL AUTOMATION, INC.
	0 TO 6mm \pm 0.1 >6 TO 30mm \pm 0.2 >30mm \pm 0.3 ALL RADII \pm 0.2 ANGLES \pm 1°	DR. FS DATE 02-05-09 CHKD. DATE APPD. DATE	SHEET 1 OF 1 DWG. SIZE 10000043823